



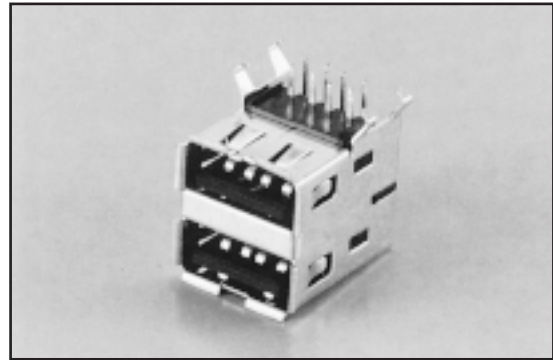
USB CONNECTOR – DUAL PORT

CENTURY INTERCONNECT PRODUCTS (203) 375-5344 FAX (203) 362-1375

ORDERING INFORMATION

USB - XX - XX - X - T - X
 1 2 3 4 5 6

- 1...Series USB sockets, dual port
- 2...Number of Contacts
 08...8 contacts, dual port socket
- 3...Housing and Contact Type
 DO...Dual port socket, open back
 DS...Dual port socket, shielded back
- 4...Plating Options
 5...5 μ " selective gold plating (standard)
 9...30 μ " selective gold plating
- 5...Contact Style
 T...Through board
- 6...Insulator Color
 B...Black
 W...White



DUAL PORT SOCKET

SPECIFICATIONS

ELECTRICAL:

Current Rating: 1 amp max. per contact, not to exceed 30 degrees C temperature rise

Contact Resistance: 30 milliohms max.

Insulation Resistance: 1000 megohms min.

Dielectric Withstanding Voltage:
 750V AC at sea level

Operating Temperature Range:
 -40 degrees C to +60 degrees C (storage)
 0 degrees C to +40 degrees C (operating)

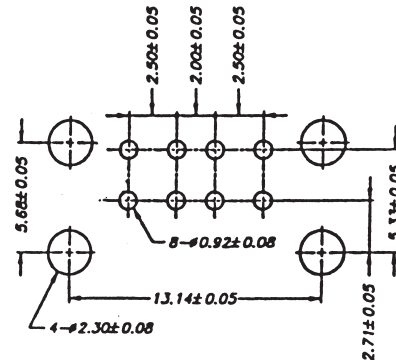
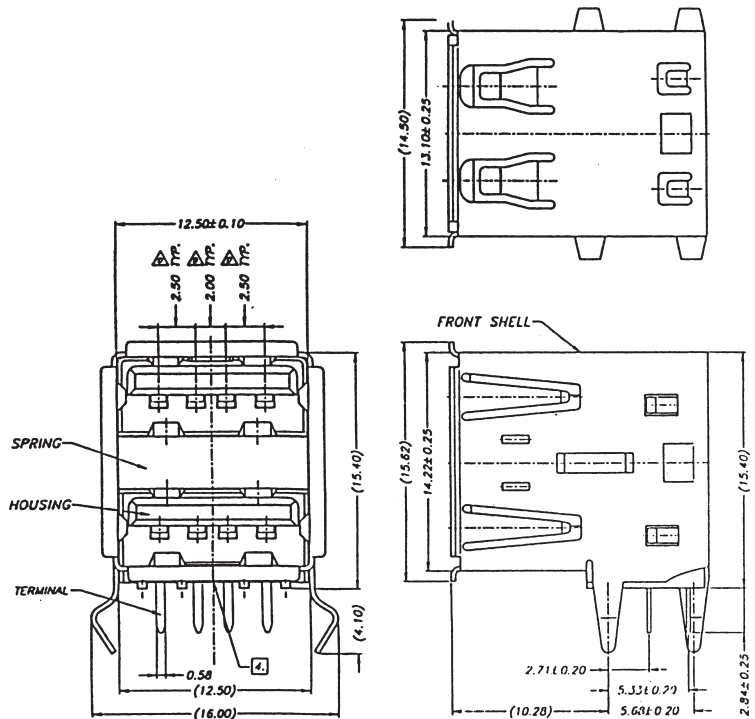
MECHANICAL:

Insulator Material: Thermoplastic, glass fiber-filled, white color (surface mount socket has high temperature thermoplastic, glass fiber-filled, white color). UL94V-0 rated.

Shell Material: Tin/lead plated copper alloy

Contact Material: Copper alloy

Contact Plating: Selective gold on mating end, tin lead on termination end, nickel underplating



PCB LAYOUT