



CHIP CARRIER SOCKETS, THROUGH BOARD

CENTURY INTERCONNECT PRODUCTS

Distributed by Electro-Stock, Inc. sales@electrostock.com
630-682-1542 Fax 630-682-1562 http://www.electrostock.com

ORDERING INFORMATION

CCSB 68 I

1 2 3

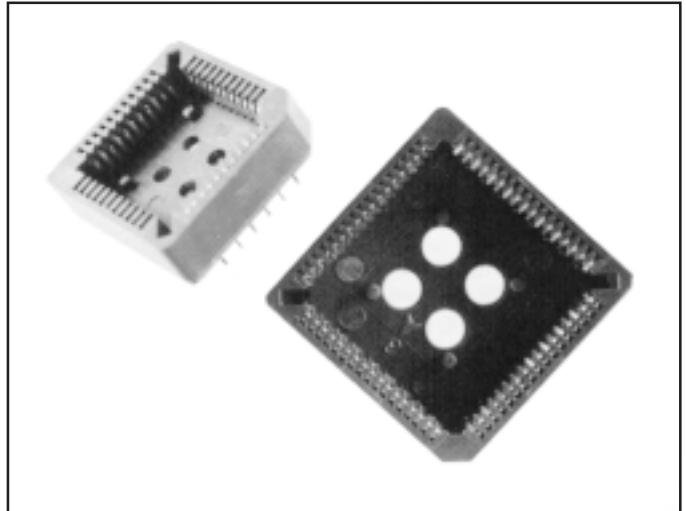
1...Series CCSB through board chip carrier socket

2...Number of Contacts

- 20...20 contacts
- 28...28 contacts
- 32...32 contacts
- 44...44 contacts
- 52...52 contacts
- 68...68 contacts
- 84...84 contacts

3...Contact Finish

- T...Tin-lead over nickel (standard)
- O...Gold flash



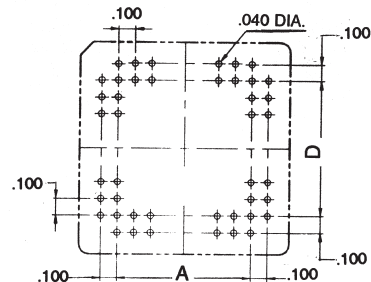
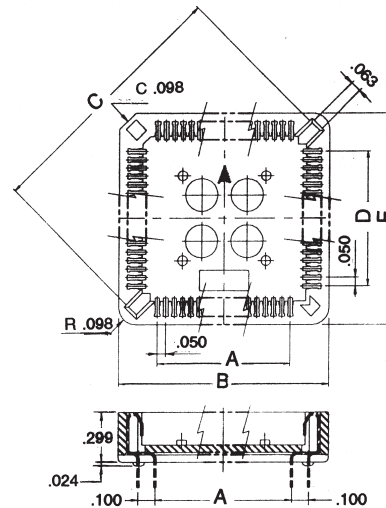
SPECIFICATIONS

ELECTRICAL:

- Current Rating:** 1 amp
- Contact Resistance:** 30 milliohms max.
- Insulation Resistance:** 1000 megohms min.
- Dielectric Withstanding Voltage:** 600V AC
for 1 minute
- Operating Temperature Range:** -40 degrees C
to +105 degrees C
- Operating Voltage:** 200V AC

MECHANICAL:

- Contact Material:** Phosphor bronze
- Contact Plating:** Tin, 150u"
- Insulator Material:** PPS, self-extinguishing
- Flammability Rating:** UL94V-0
- Durability:** 20 or more cycles



PCB LAYOUT

No. of Contacts	A ±.008	B ±.008	C ±.012	D ±.008	E ±.008
20	.200	.610	.722	.200	.610
28	.300	.710	.817	.300	.710
32	.300	.710	.907	.400	.811
44	.500	.924	1.121	.500	.924
52	.600	1.019	1.292	.600	1.019
68	.800	1.222	1.506	.800	1.222
84	1.000	1.419	1.797	1.000	1.419



UL FILE NUMBER: E164331