



SIMM SOCKETS, VERTICAL MOUNT

SINGLE AND DUAL ROW, 30 AND 60 POSITIONS

CENTURY INTERCONNECT PRODUCTS (203) 375-5344 FAX (203) 362-1375

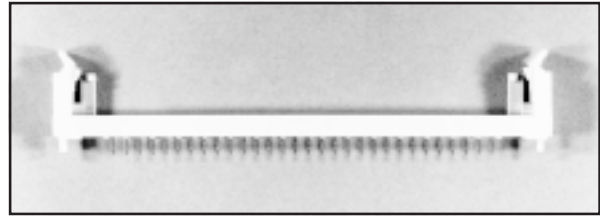
SPECIFICATIONS

ELECTRICAL:

- Current Rating:** 1 amp
- Contact Resistance:** 30 milliohms max.
- Insulation Resistance:** 1000 megohms min.
- Operating Temperature Range:** -40 degrees C to +125 degrees C
- Capacitance:** 1 pf max.

MECHANICAL:

- Contact Material:** Phosphor bronze
- Contact Plating:** Tin over nickel
- Insulator Material:** LCP, glass-filled, self-extinguishing
- Flammability Rating:** UL94V-0
- Durability:** 30 cycles
- Contact Force:** 200 gr. min.
- Contact Retention Force:** 2 lbs. per circuit min.



ORDERING INFORMATION

CSM - A - X - T - X

1 2 3 4 5

1...Series CSM SIMM sockets

2...Profile Type

A...Vertical Mount

3...Construction Type

D...Dual row

S...Single row

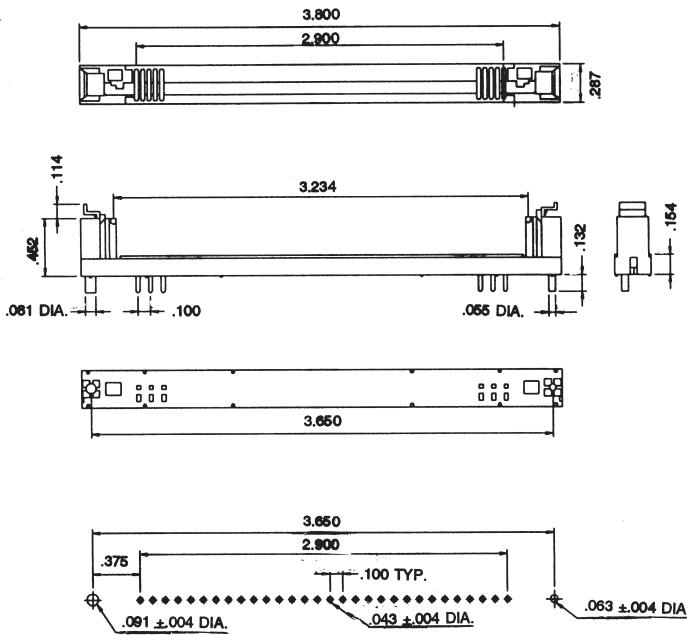
4...Contact Finish

T...Tin

5...Latch Style

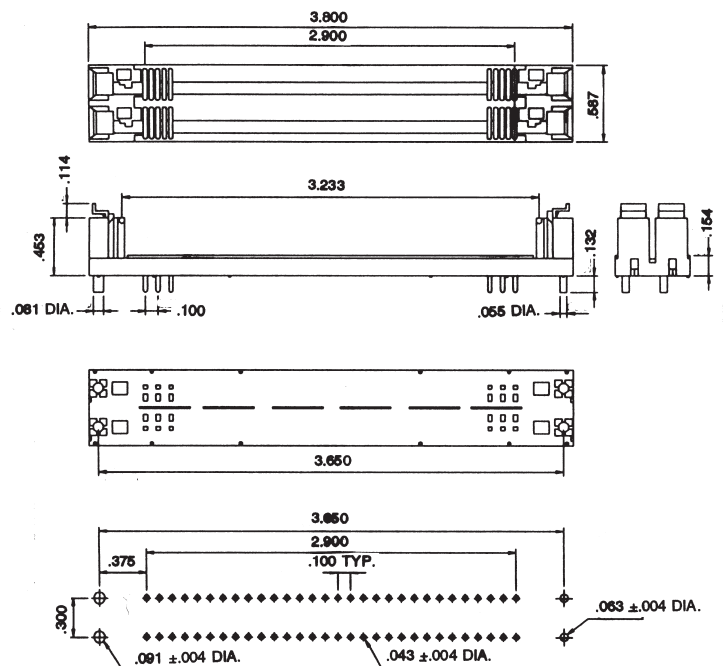
M...Metal latches

SINGLE ROW



PCB LAYOUT

DUAL ROW



PCB LAYOUT