



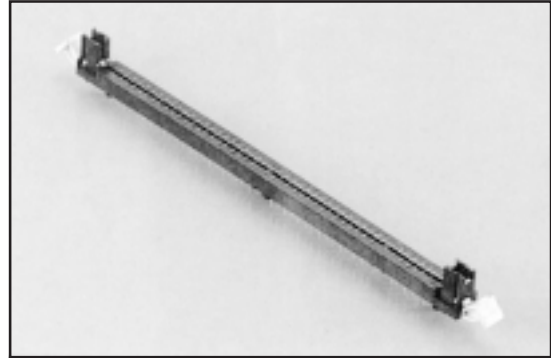
# DIMM SOCKET

CENTURY INTERCONNECT PRODUCTS (203) 375-5344 FAX (203) 362-1375

## ORDERING INFORMATION

**CDM 168 - X - X**  
 1 2 3 4

- 1...Series CDM DIMM socket
- 2...Number of Contacts  
168...168 contacts
- 3...Contact Plating  
6...Selective gold flash  
8...15µ" Selective gold
- 4...Ejector  
0...Short  
1...long



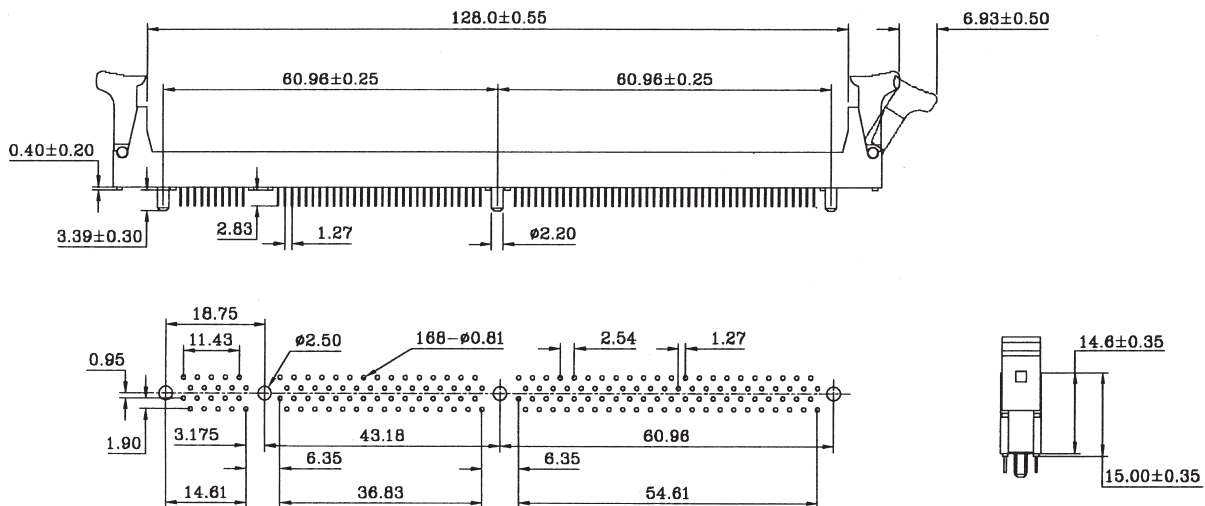
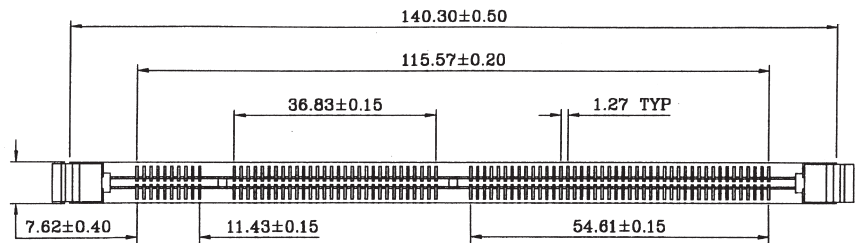
## SPECIFICATIONS

### ELECTRICAL:

- Current Rating:** .5 amps
- Contact Resistance:** 1000 milliohms
- Withstanding Voltage:** 500 V AC min.
- Insulation Resistance:** 1000 megohms min.
- Operating Temperature Range:**  
-55 degrees C to +105 degrees C

### MECHANICAL:

- Insulator:** Nylon 66 UL94V-0
- Contact Material:** Phosphor bronze
- Contact Plating:** Gold over nickel



PCB LAYOUT