



MODULAR JACKS, PCB MOUNT

Distributed by Electro-Stock, Inc. sales@electrostock.com 630-682-1542 Fax 630-682-1562
<http://www.electrostock.com>

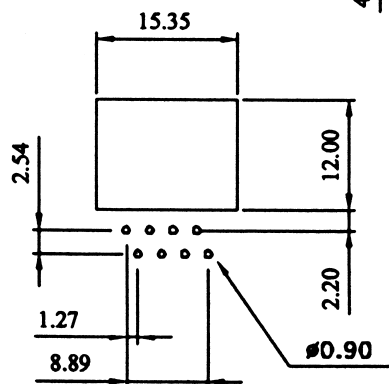
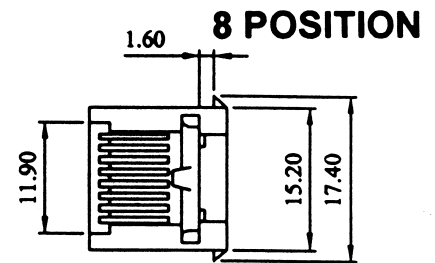
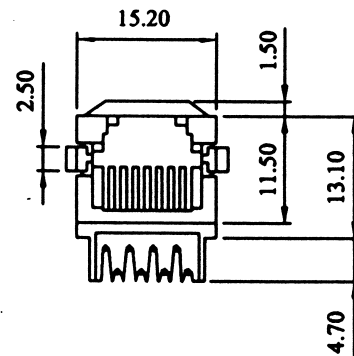
C003 BOTTOM ENTRY

STANDARD COLOR: BLACK

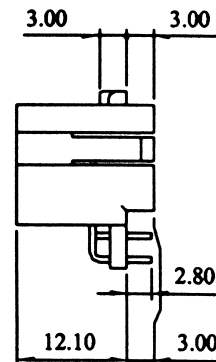
ORDERING INFORMATION

C003 - X - X
 1 2 3

- 1...Series C003 bottom entry modular jack, 8 position
- 2...Number of Positions / Number of Contacts
 F...8P8C
- 3...Gold Contact Plating
 1...15u" 3...50u"
 2...30u" 4...6u"



PCB LAYOUT



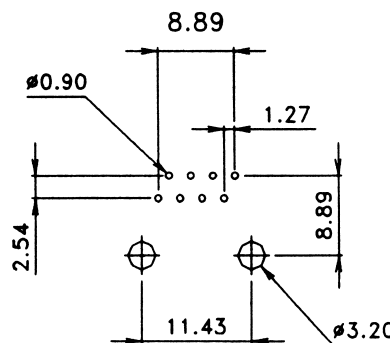
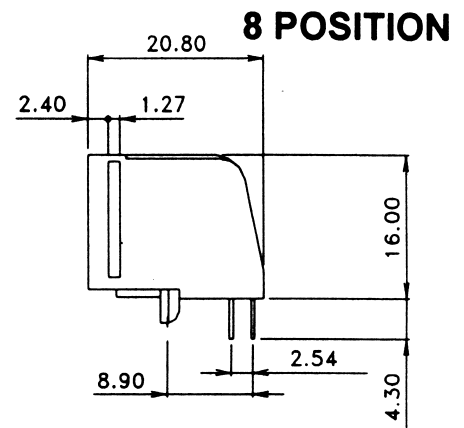
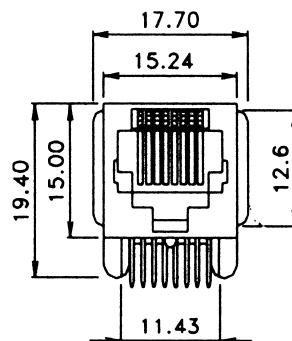
C004, C004K SIDE ENTRY

STANDARD COLOR: BLACK
 OPTIONAL KEY
 AVAILABLE WITHOUT FLANGE

ORDERING INFORMATION

C004 - X - X - X - XX
 1 2 3 4 5

- 1...Series C004 side entry modular jack, 8 position
- 2...Optional Polarizing Key
 Blank...Without key
 K...With polarizing key
- 3...Number of Positions / Number of Contacts
 F...8P8C
- 4...Gold Contact Plating
 1...15u" 3...50u"
 2...30u" 4...6u"
- 5...Flange Option
 Blank...With flange
 NF...Without flange



PCB LAYOUT

