



IDC RIBBON CONNECTORS

CENTURY INTERCONNECT PRODUCTS

Distributed by Electro-Stock, Inc. sales@electrostock.com
630-682-1542 Fax 630-682-1562 http://www.electrostock.com

SPECIFICATIONS



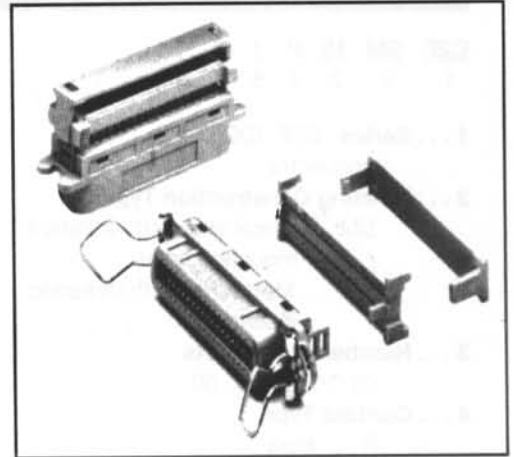
UL FILE NUMBER: E164331

MECHANICAL:

Insulator Material
Polyamid UL94V-0
Contact Material
Phosphor Bronze
Contact Finish
Gold over nickel
IDC Terminal Finish
Tin-lead over nickel
Wire Size
AWG 28 stranded, .050"
center ribbon cable

ELECTRICAL:

Current Rating
5 Amps
Dielectric Withstanding Voltage
AC 500 V min. for 1 minute
Insulation Resistance:
1000 M Ω min. at 500 V DC
Contact Resistance
20 m Ω max. rated
Operating Temperature
-55° C to +125° C

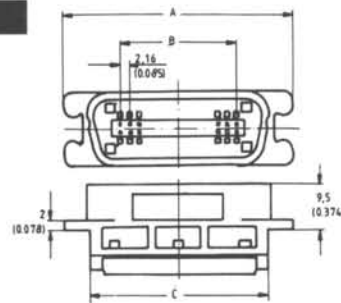


ORDERING INFORMATION

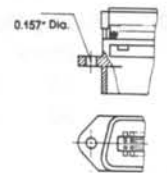
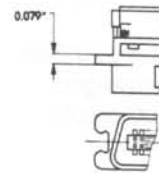
C3F 30 500 M 1 N N
1 2 3 4 5 6 7

- 1 ... **Series** C3F ... IDC ribbon connector
- 2 ... **Contact and Connecting Types**
 - 30 ... Plug, cable to panel
 - 40 ... Receptacle, cable to panel
- 3 ... **Number of Contacts**
 - 240 ... 24 Contacts
 - 360 ... 36 Contacts
 - 500 ... 50 Contacts
- 4 ... **Housing Construction Types**
 - M ... Metal, nickel plated without grounding indents
 - P ... Plastic
- 5 ... **Color Code**
 - 1 ... Blue
- 6 ... **Strain Relief**
 - N ... Without strain relief
 - P ... Plastic strain relief
- 7 ... **Mounting Types**
 - N ... Without mounting holes (plug only)
 - R ... Riveted through holes (receptacle only)
 - S ... Standard through holes (plug only)
 - T ... Threaded inserts, 4-40UNC (receptacle only)

Consult factory for plating options



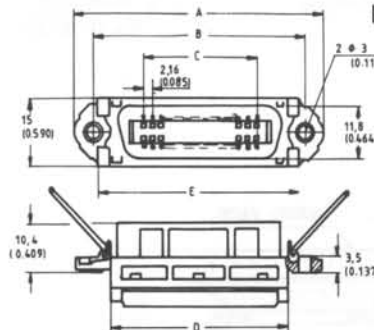
PLUG



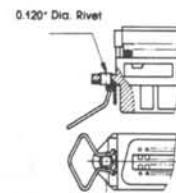
"N" Type:
Without Mounting Hole
(Ball Mounting Type)

"S" Type:
Standard Thru Hole

NUMBER OF CONTACTS	A	B	C
24	1.890	.925	1.500
36	2.400	1.445	2.001
50	2.992	2.028	2.600



RECEPTACLE



"R" Type:
With Rivet Thru Hole

"T" Type:
With Threaded Insert

NUMBER OF CONTACTS	A	B	C	D	E
24	2.126	1.850	.925	1.496	1.772
36	2.638	2.362	1.445	2.008	2.283
50	3.228	2.600	2.028	2.600	2.874