



IDC HIGH DENSITY SOCKET, 1.27mm PITCH

CENTURY INTERCONNECT PRODUCTS

Distributed by Electro-Stock, Inc. sales@electrostock.com
630-682-1542 Fax 630-682-1562 http://www.electrostock.com

ORDERING INFORMATION

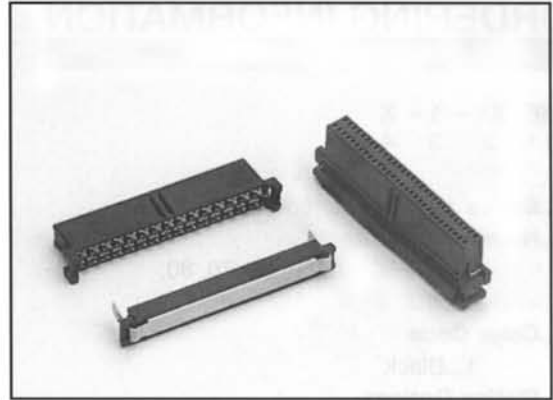
C14F XX - X - X
1 2 3 4

1...Series C14F IDC metal latch and cover socket, .050" X .100" pitch

2...Number of Contacts
60, 68, 72, and 80

3...Insulator Color
1...Black

4...Plating Options
Blank...Selective gold flash
15...15μ" selective gold
30...30μ" selective gold



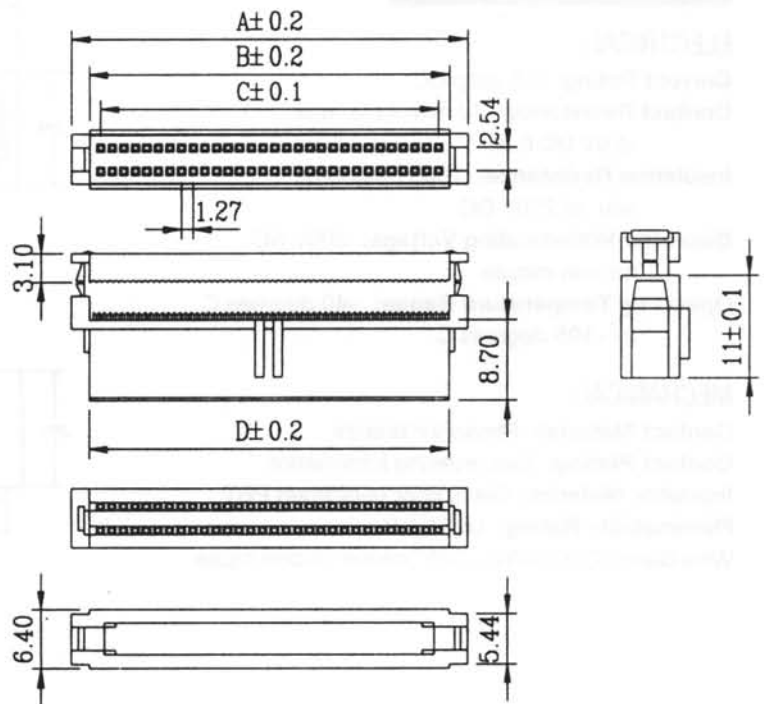
SPECIFICATIONS

ELECTRICAL:

- Current Rating:** 1 amp
- Contact Resistance:** 15 milliohms max.
- Insulation Resistance:** 500 megohms min.
- Dielectric Withstanding:** 500V AC for one minute
- Operating Temperature:** -40 degrees C to +105 degrees C

MECHANICAL:

- Contact Material:** Phosphor bronze
- Insulator Material:** Thermoplastic polyester, UL94V-0



Dimension	A	B	C	D
60	10.16	18.00	15.30	21.85
68	15.24	23.08	20.38	26.93
72	17.78	25.62	22.92	29.47
80	22.86	30.70	28.00	34.55