



IDC 4 ROW TRANSITION CONNECTORS

.100" SPACING

CENTURY INTERCONNECT PRODUCTS

Distributed by Electro-Stock, Inc. sales@electrostock.com
630-682-1542 Fax 630-682-1562 http://www.electrostock.com

ORDERING INFORMATION

C12F XX 1 X
1 2 3 4

1...Series C12F IDC transition connector,
.100 spacing

2...Number of Contacts

10, 14, 16, 20, 26, 34, 40, 50, 60

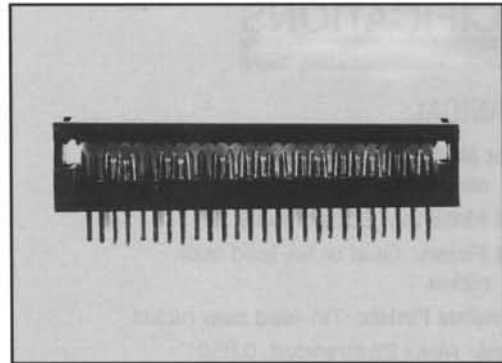
3...Color Code

1...Black

4...Plating Options

0...Selective gold flash

T...Tin



SPECIFICATIONS

ELECTRICAL:

Current Rating: 1 amp

Contact Resistance: 20 milliohms max.

Insulation Resistance: 1000 megohms min.

Dielectric Withstanding Voltage: 500V AC for
1 minute

Operating Temperature Range: -40 degrees C
to +105 degrees C

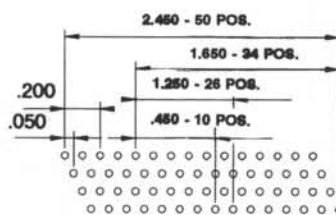
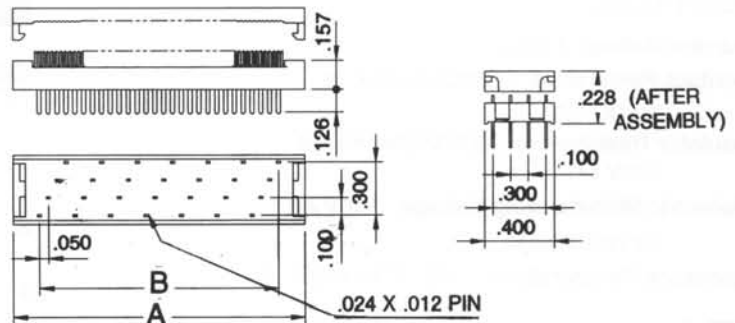
MECHANICAL:

Contact Material: Phosphor bronze

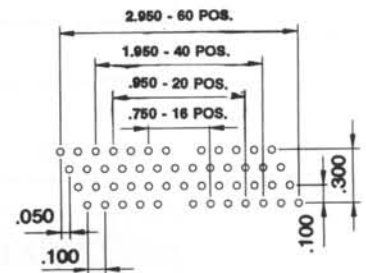
Contact Plating: See order information

Insulator Material: Thermoplastic polyester

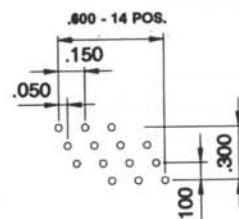
Flammability Rating: UL94V-0



PCB LAYOUT



PCB LAYOUT



PCB LAYOUT

NO. OF CONTACTS	A	B
10	.689	.450
14	.889	.650
16	.989	.750
20	1.189	.950
26	1.489	1.250
34	1.889	1.650
40	2.189	1.950
50	2.689	2.450
60	3.189	2.950