



# FFC/FPC CONNECTORS, ZIF, THROUGH BOARD

1.00 mm SPACING

CENTURY INTERCONNECT PRODUCTS

Distributed by Electro-Stock, Inc. sales@electrostock.com  
630-682-1542 Fax 630-682-1562 http://www.electrostock.com

## ORDERING INFORMATION

**CFC6 - XX - X - I - I**  
1 2 3 4 5

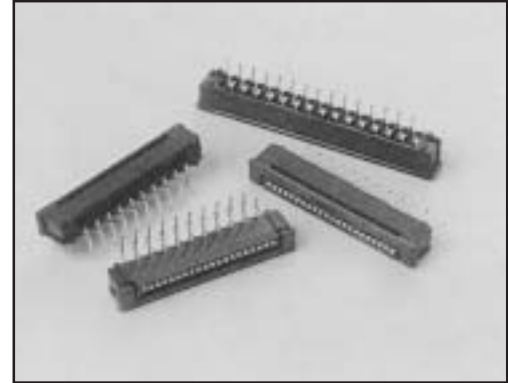
1...Series CFC6 FFC/FPC connector, ZIF, through board, 1.00mm spacing

2...Number of Contacts  
04 to 32

3...Cable Entry Style  
S...Side entry  
T...Top entry

4...Packaging Options  
T...Tube

5...Contact Plating  
T...Tin



## SPECIFICATIONS

### ELECTRICAL:

**Current Rating:** 0.5 amps

**Contact Resistance:** 30 milliohms max.

**Insulation Resistance:** 500 megohms min.

**Dielectric Strength:** 50V AC min.

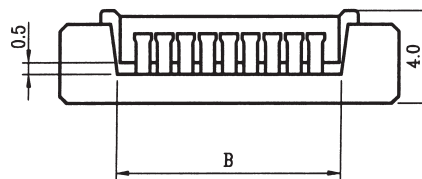
**Operating Temperature Range:** -40 degrees C  
to +105 degrees C

### MECHANICAL:

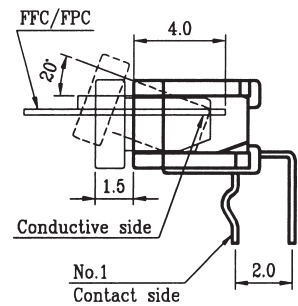
**Contact Material:** Copper alloy

**Contact Plating:** Tin over nickel

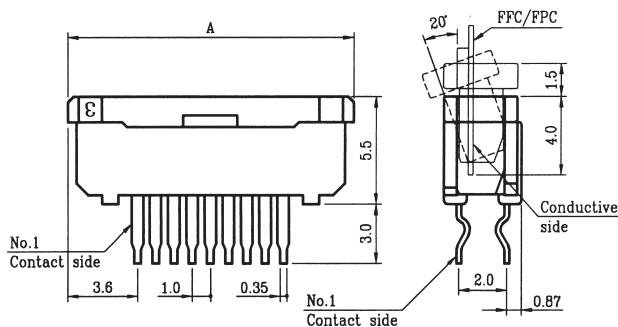
**Insulator Material:** Thermoplastic,  
UL94V-0



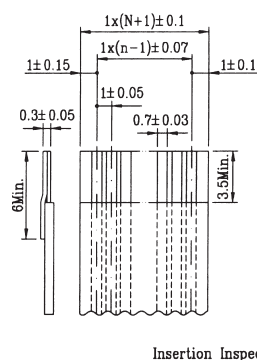
### Side Entry (R Type)



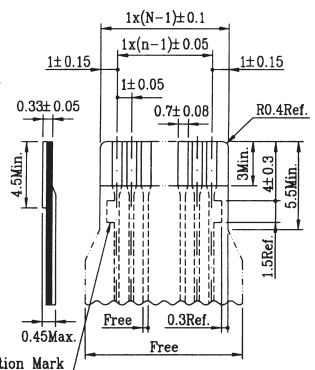
### Top Entry (S Type)



### Recommended FFC



### Recommended FPC



Terminal code	Dimensions(mm)		Terminal code	Dimensions(mm)		Terminal code	Dimensions(mm)	
	A	B		A	B		A	B
4	10.2	5.2	15	21.2	16.2	26	32.2	27.2
5	11.2	6.2	16	22.2	17.2	27	33.2	28.2
6	12.2	7.2	17	23.2	18.2	28	34.2	29.2
7	13.2	8.2	18	24.2	19.2	29	35.2	30.2
8	14.2	9.2	19	25.2	20.2	30	36.2	31.2
9	15.2	10.2	20	26.2	21.2	31	37.2	32.2
10	16.2	11.2	21	27.2	22.2	32	38.2	33.2
11	17.2	12.2	22	28.2	23.2			
12	18.2	13.2	23	29.2	24.2			
13	19.2	14.2	24	30.2	25.2			
14	20.2	15.2	25	31.2	26.2			

### PCB LAYOUT

