



FFC/FPC CONNECTORS, ZIF, THROUGH BOARD

1.00 mm SPACING

CENTURY INTERCONNECT PRODUCTS

Distributed by Electro-Stock, Inc. sales@electrostock.com
630-682-1542 Fax 630-682-1562 http://www.electrostock.com

ORDERING INFORMATION

CFC3 - XX - I
1 2 3

- 1...Series CFC3 FFC/FPC connector, ZIF, through board, 1.00mm spacing
- 2...Number of Contacts
3, 4, 5, 6, 7, 8, 9, 10, 11, 12, 13, 14, 15, 16, 17, 18, 19, 20, 21, 22, 23, 24, 25, 26, 27, 28, 29, 30, 31, 32
- 3...Plating
T...Tin



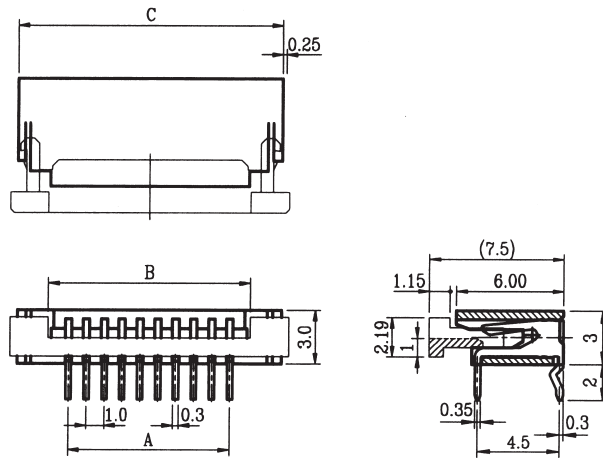
SPECIFICATIONS

ELECTRICAL:

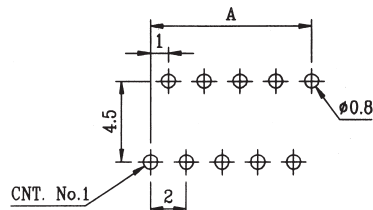
- Current Rating:** 0.5 amp
Contact Resistance: 20 milliohms max.
Insulation Resistance: 500 megohms min.
Dielectric Withstanding Voltage: 300V AC
Voltage Rating: 60V AC
Operating Temperature Range: -40 degrees C to +105 degrees C

MECHANICAL:

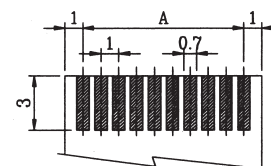
- Contact Material:** Phosphor bronze
Contact Plating: Tin over nickel
Insulator Material: NY-6T (UL94V-0)
Actuator Material: PPS (UL94V-0)



NO. OF CONTACTS	A	B	C	NO. OF CONTACTS	A	B	C
3	2.00	4.30	7.80	18	17.00	19.30	22.80
4	3.00	5.30	8.80	19	18.00	20.30	23.80
5	4.00	6.30	9.80	20	19.00	21.30	24.80
6	5.00	7.30	10.80	21	20.00	22.30	25.80
7	6.00	8.30	11.80	22	21.00	23.30	26.80
8	7.00	9.30	12.80	23	22.00	24.30	27.80
9	8.00	10.30	13.80	24	23.00	25.30	28.80
10	9.00	11.30	14.80	25	24.00	26.30	29.80
11	10.00	12.30	15.80	26	25.00	27.30	30.80
12	11.00	13.30	16.80	27	26.00	28.30	31.80
13	12.00	14.30	17.80	28	27.00	29.30	32.80
14	13.00	15.30	18.80	29	28.00	30.30	33.80
15	14.00	16.30	19.80	30	29.00	31.30	34.80
16	15.00	17.30	20.80	31	30.00	32.30	35.80
17	16.00	18.30	21.80	32	31.00	33.30	36.80



PCB LAYOUT



FFC/FPC DIMENSIONS
THICKNESS - 0.3mm