



# FFC/FPC CONNECTORS, ZIF, SURFACE MOUNT

## 1.00 mm SPACING

CENTURY INTERCONNECT PRODUCTS (203) 375-5344 FAX (203) 362-1375

### ORDERING INFORMATION

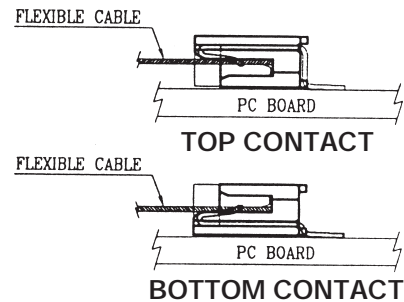
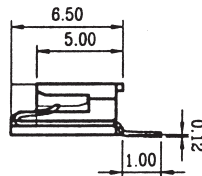
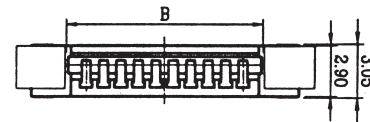
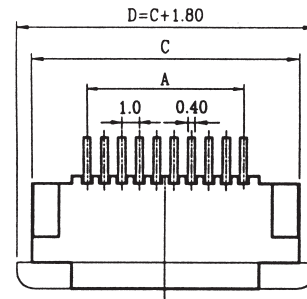
**CFC2 - XX - X - X - I**  
 1 2 3 4 5

- 1...Series CFC2 FFC/FPC connector, ZIF, surface mount, 1.00mm spacing
- 2...Number of Contacts  
04 to 32 contacts
- 3...Cable Entry Style  
A...Top contact  
B...Bottom contact
- 4...Packaging Options  
T...Tube  
R...Tape and reel
- 5...Plating  
T...Tin

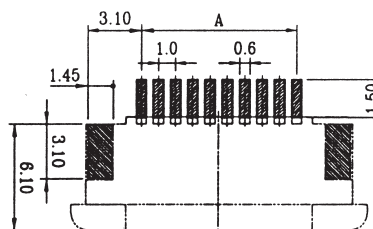


### SPECIFICATIONS

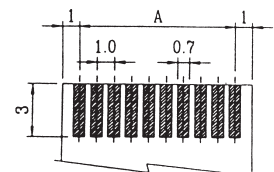
- Insulator Material:** Nylon resin, glass reinforced, self extinguishing, UL94V-0
- Actuator Material:** PPS, UL94V-0
- Contact Material:** Phosphor bronze
- Contact Plating:** Tin over nickel
- Voltage Rating:** 60V AC
- Current Rating:** 0.5 amp
- Contact Resistance:** 20 milliohms max.
- Insulator Resistance:** 50 megohms min.
- Dielectric Strength:** 300V AC
- Operating Temperature Range:** -40 degrees C to +105 degrees C



NO. OF CONTACTS	A	B	C	NO. OF CONTACTS	A	B	C
4	4.00	6.30	9.80	19	18.00	20.30	24.40
5	4.00	6.30	10.40	20	19.00	21.30	25.40
6	5.00	7.30	11.40	21	20.00	22.30	26.40
7	6.00	8.30	12.40	22	21.00	23.30	27.40
8	7.00	9.30	13.40	23	22.00	24.30	28.40
9	8.00	10.30	14.40	24	23.00	25.30	29.40
10	9.00	11.30	15.40	25	24.00	26.30	30.40
11	10.00	12.30	16.40	26	25.00	27.30	31.40
12	11.00	13.30	17.40	27	26.00	28.30	32.40
13	12.00	14.30	18.40	28	27.00	29.30	33.40
14	13.00	15.30	19.40	29	28.00	30.30	34.40
15	14.00	16.30	20.40	30	29.00	31.30	35.40
16	15.00	17.30	21.40	31	30.00	32.30	36.40
17	16.00	18.30	22.40	32	31.00	33.30	37.40
18	17.00	19.30	23.40				



PCB LAYOUT



FFC/FPC DIMENSION  
T=0.3mm