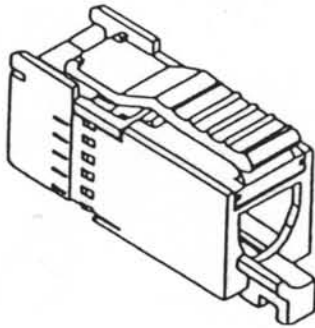




# FUTURE BUS CABLE CONNECTOR

CENTURY INTERCONNECT PRODUCTS

Distributed by Electro-Stock, Inc. sales@electrostock.com  
630-682-1542 Fax 630-682-1562 http://www.electrostock.com



## Ordering information

FB4-30-X  
1 2 3

- 1...Series: Future Bus female IDC cable connector
- 2...Number of contacts: 30
- 3...Plating: 9, 30 $\mu$ m selective gold plate

## Material

Insulator: PBT, UL94V-0  
Contacts: Phosphor bronze  
Wire Size: 26-28 AWG

## Electrical

Operating voltage: 300 VDC max.  
Current rating: 1 Amp max.  
Contact resistance: 20 m ohms max.  
Insulation resistance: 1000 M ohms min.  
Dielectric withstand voltage: 1000 VAC  
Operating temperature: -55° C to +125° C

