
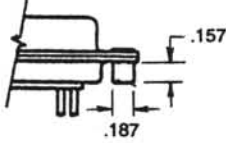
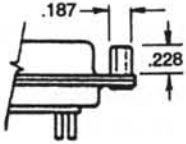
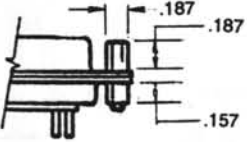
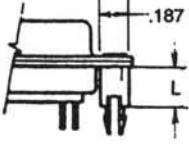
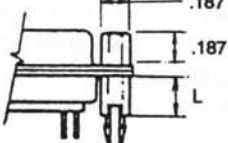




D-SUBMINIATURE MOUNTING OPTIONS

CENTURY INTERCONNECT PRODUCTS

Distributed by Electro-Stock, Inc. sales@electrostock.com
630-682-1542 Fax 630-682-1562 http://www.electrostock.com

<p>OPTION A .120 DIAMETER CLEARANCE HOLES</p> 	<p>OPTION B 4-40 RIVETED THREADED CLINCH NUTS</p> 	<p>OPTION J 4-40 THREADED FIXED JACKSCREWS</p> 
<p>OPTION KJ 4-40 RIVETED THREADED CLINCH NUTS AND JACKSCREWS</p> 	<p>OPTION BR 4-40 RIVETED THREADED BOARDLOCKS</p> 	<p>OPTION BRJ 4-40 RIVETED THREADED BOARDLOCKS AND JACKSCREWS</p> 

SERIES	MOUNTING OPTIONS
C4D	A, B, J, KJ
C5D	A, B, J, KJ, BR, BRJ (L = .236)
C5DH	A, B, J, KJ, BR, BRJ (L = .380, .433, or .500)
C6D	A, B, J, KJ
C7D	A, B, J, KJ
C8D	A, B, J, KJ, BR, BRJ (L = .236)
C8D (with ferrite)	A, B, J, KJ, BR, BRJ (L = .335)
C8DH	A, B, J, KJ, BR, BRJ (L = .433 or .500)
C8DH (with ferrite)	A, B, J, KJ, BR, BRJ (L = .570)
C9D	A, B, J, KJ
C9D (with ferrite)	A, B, J, KJ
C11D	A, B, KJ
C14D	A, B, J, KJ