



D-SUB DUAL PORT CONNECTORS

WITH 15 POSITION HIGH DENSITY CONNECTORS

CENTURY INTERCONNECT PRODUCTS Distributed by Electro-Stock, Inc. sales@electrostock.com
630-682-1542 Fax 630-682-1562 http://www.electrostock.com

ORDERING INFORMATION

C3DH - E15X - E15X - 8 - B - X - -
1 2 3 4 5 6 7

1...Series C3DH Dual port with 15 position high density D-sub connectors

2...Upper Connector

E15P...Plug

E15S...Socket

3...Lower Connector

E15P...Plug

E15S...Socket

4...Connector Spacing

8... .750"

5...Mounting Options

B...Boardlocks - 4 places

6...Mating Options

A...4-40 threaded inserts

B...4-40 threaded inserts with jackscrews

7...Plating Options

Blank...Selective gold flash

(consult factory for other plating options)

SPECIFICATIONS

ELECTRICAL:

Current Rating: 5 amps

Contact Resistance: 30 milliohms max.

Insulation Resistance: 1000 megohms min.

Dielectric Withstanding Voltage: 500V AC

Operating Temperature Range: -55 degrees C to +105 degrees C

MECHANICAL:

Contact Material: Brass (plug connector)

Phosphor bronze (socket connector)

Contact Plating: Selective gold flash

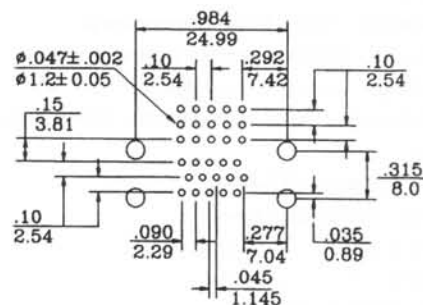
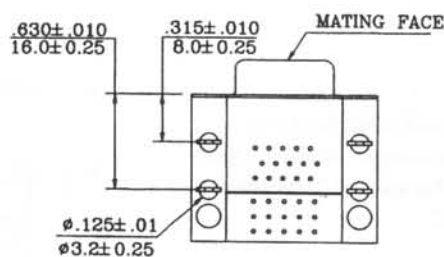
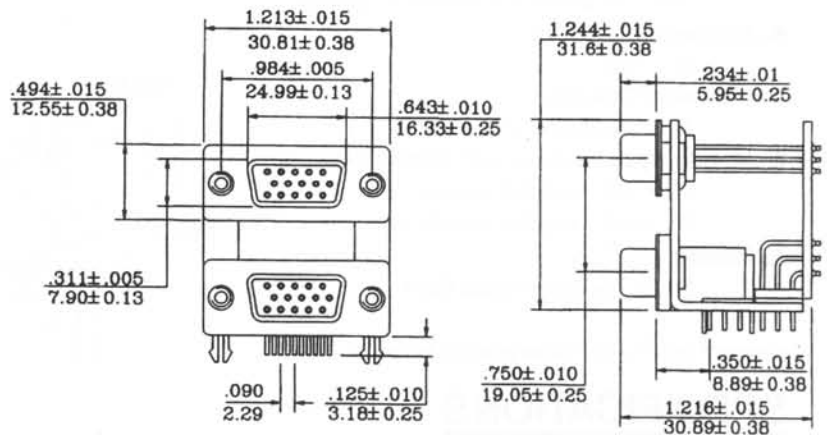
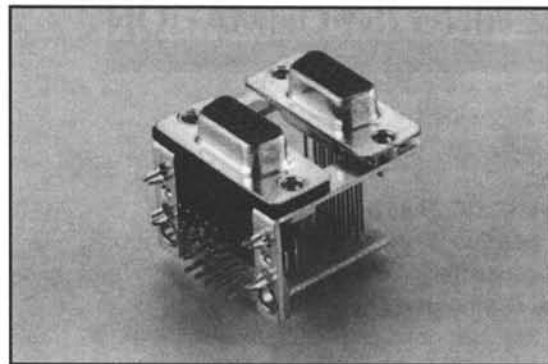
Insulator Material: PBT thermoplastic, 30% glass filled, black color

Flammability Rating: UL94V-0

Shell Material: Tin plated steel

Grounding Brackets: Tin plated brass

Riveted Inserts: Nickel plated brass



PCB LAYOUT