



DIN 41612 CONNECTORS

TYPE F48: MALE

Distributed by Electro-Stock, Inc. sales@electrostock.com
630-682-1542 Fax 630-682-1562 http://www.electrostock.com

CENTURY INTERCONNECT PRODUCTS

ORDERING INFORMATION

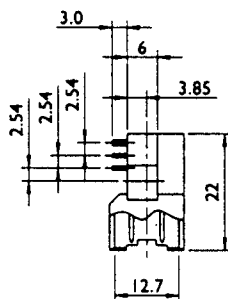
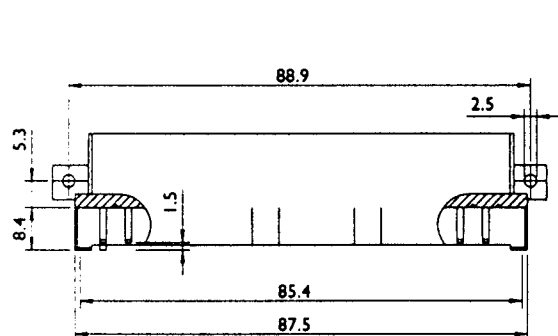
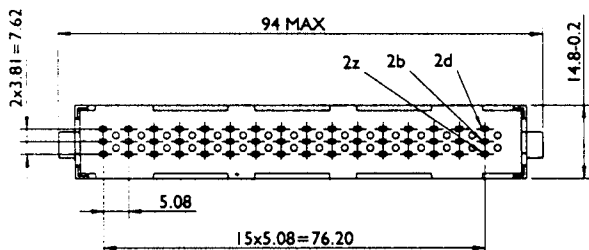
C135 - XXX - X - XX - XX - XX
1 2 3 4 5 6

- 1...Series Type F48 DIN 41612 connectors, male
- 2...Number of Contacts
 - 32B...32 (rows B and Z)
 - 32D...32 (rows D and Z)
 - 48....48 (rows D, B and Z)
- 3...Connector Type
 - 2...Male
- 4...Contact Configuration
 - 10...3.0mm DIP solder
- 5...Contact Plating Class
 - 10...Class III, tin/lead tail
 - 20...Class II, tin/lead tail
- 6...Options
 - B1...Pin Z32 as first mate contact (available on 48 position and 32 position connector with row B loaded only)
 - B3...Pins B2 and B32 as first mate contact (available on 48 position connector only)

SPECIFICATIONS

- Housing Material:** PBT, 30% glass fiber, UL94V-0
- Contact Material:** Phosphor bronze
- Operating Temperature:** -55 degrees C to +105 degrees C
- Contact Resistance:** 30 mohms max. at DC 500V
- Insulator Resistance:** 1000 mohms min. at DC500V
- Current Rating:** 5.6 amps
- Withstanding Voltage:** AC1000V for one minute
- Insertion Force:** 75 N max.
- Withdrawal Force:** 0.15 N pin min.

Note: First Mate Contact Length: 7.6mm



PCB LAYOUT

