



DIN 41612 CONNECTORS

TYPE F48: MALE

CENTURY INTERCONNECT PRODUCTS

(203) 362-1371

FAX (203) 362-1375

ORDERING INFORMATION

C135 - XXX - X - XX - XX - XX
 1 2 3 4 5 6

1...Series Type F48 DIN 41612 connectors, male

2...Number of Contacts

32B...32 (rows B and Z)

32D...32 (rows D and Z)

48....48 (rows D, B and Z)

3...Connector Type

2...Male

4...Contact Configuration

10...3.0mm DIP solder

5...Contact Plating Class

10...Class III, tin/lead tail

20...Class II, tin/lead tail

6...Options

B1...Pin Z32 as first mate contact
 (available on 48 position and 32
 position connector with row B
 loaded only)

B3...Pins B2 and B32 as first mate contact
 (available on 48 position connector
 only)

SPECIFICATIONS

Housing Material: PBT, 30% glass fiber,
 UL94V-0

Contact Material: Phosphor bronze

Operating Temperature: -55 degrees C to
 +105 degrees C

Contact Resistance: 30 mohms max. at
 DC 500V

Insulator Resistance: 1000 mohms min. at
 DC500V

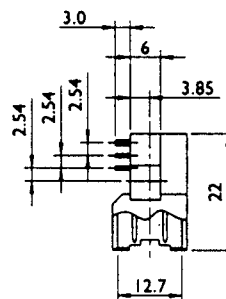
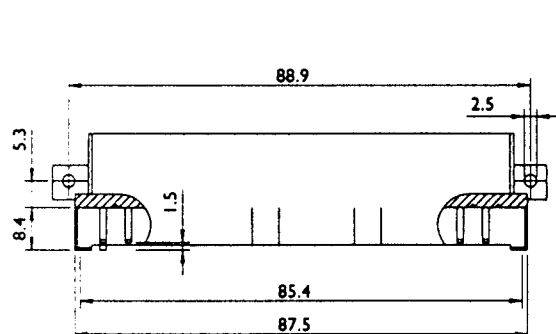
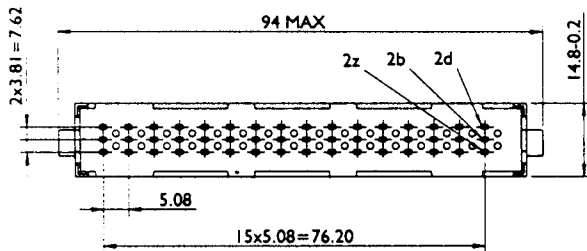
Current Rating: 5.6 amps

Withstanding Voltage: AC1000V for
 one minute

Insertion Force: 75 N max.

Withdrawal Force: 0.15 N pin min.

Note: First Mate Contact Length: 7.6mm



PCB LAYOUT

