



DIN 41612 CONNECTORS

TYPE H15: MALE AND FEMALE

CENTURY INTERCONNECT PRODUCTS (203) 362-1371 FAX (203) 362-1375

ORDERING INFORMATION

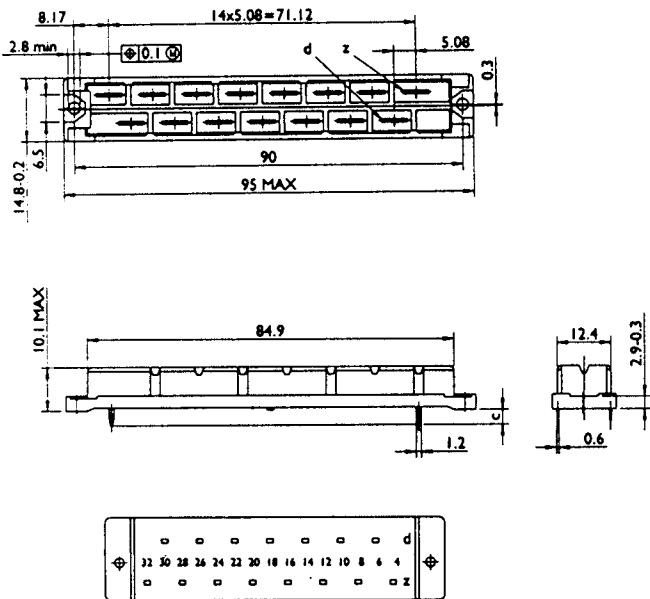
C133 - XX - X - XX - XX - X
 1 2 3 4 5 6

- 1...Series Type H15 DIN 41612 connectors
- 2...Number of Contacts
 15...15 contacts
- 3...Connector Type
 1...Female (straight)
 2...Male (right angle)
- 4...Contact Configuration
 Female (straight)
 (Dimension C)
 20...4.0mm DIP solder
 45...10.0mm DIP solder
 Male (right angle)
 10...3.0mm DIP solder
- 5...Contact Plating Class
 30...Hard silver
- 6...Options (male connectors only)
 B1...Male pin z32 as first contact
 B2...Male pins z4 and z32 as first contact

SPECIFICATIONS

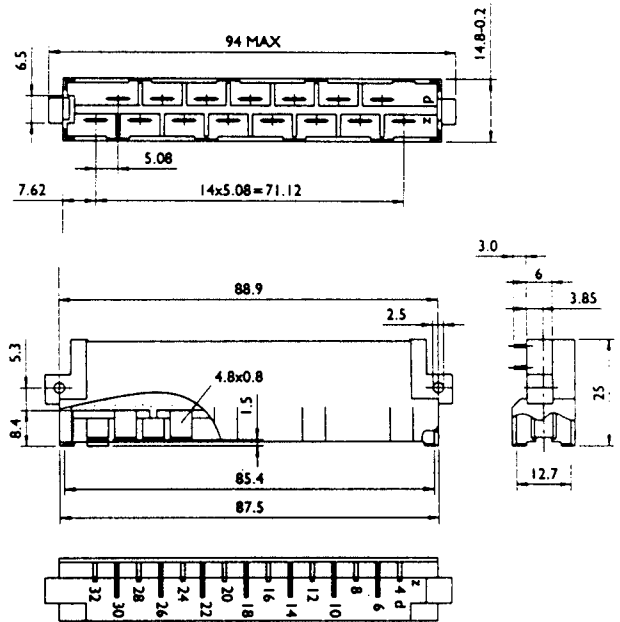
- Housing Material: PBT, 30% glass fiber, UL94V-0
 Contact Material: Male: Brass
 Female: Phosphor bronze
 Operating Temperature: -55 degrees C to +105 degrees C
 Contact Resistance: 8 mohms max. at DC100mA
 Insulator Resistance: 1000 mohms min. at DC500V
 Current Rating: 15 amps
 Withstanding Voltage: AC3100V for one minute
 Insertion Force: 90 N max.
 Withdrawal Force: 0.2 N pin min.
 Note: First Mate Contact Length: 7.5mm

FEMALE



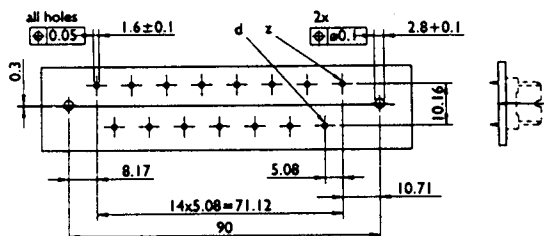
Contact Arrangement
 (viewed from termination side)

MALE



Contact Arrangement
 (viewed from termination side)

PCB LAYOUT: FEMALE



PCB LAYOUT: MALE

