

1.27mm HEADER FEMALE

Distributed by Electro-Stock, Inc. sales@electrostock.com
630-682-1542 Fax 630-682-1562 http://www.electrostock.com

- DOUBLE ROW
- DIP TYPE
- 1.27mm X 1.27mm

SPECIFICATION:

INSULATOR MATERIAL:
GLASS FILLED THERMOPLASTIC POLYESTER

FLAMMABILITY RATING:
UL 94V-0

INSULATION RESISTANCE:
5000 MEGOHMS MIN.
PER MIL-STD-1344A METHOD 3003.1

OPERATING TEMPERATURE RANGE:
-40° C TO +105° C

MAXIMUM PROCESSING TEMPERATURE:
230° C FOR 30-60 SECONDS
(260° FOR 10 SECONDS)

DIELECTRIC STRENGTH:
600V AC MIN.
PER MIL-STD-1344A METHOD 3001.1

CONTACT MATERIAL:
PHOSPHOR BRONZE

CURRENT RATING:
1 AMP

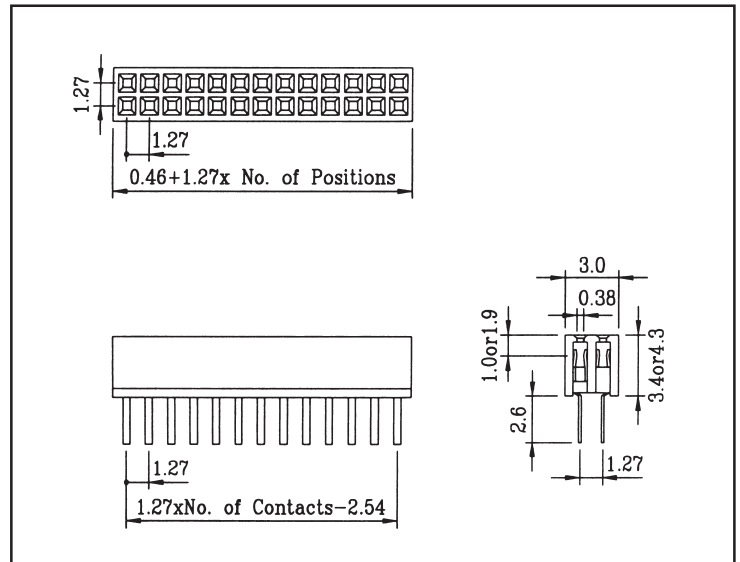
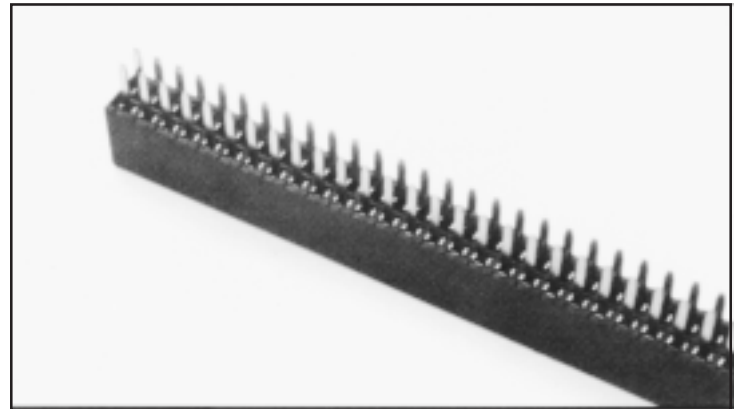
CONTACT RESISTANCE:
20 MILLIOHMS MAX.

DURABILITY:
50 CYCLES

RETENTION FORCE:
15 OZ. AVG.
PER MIL-STD-1344A METHOD 3002.1

SOLDERABILITY:
PER MIL-STD-202F METHOD 208D

TESTING VOLTAGE:
125V AC

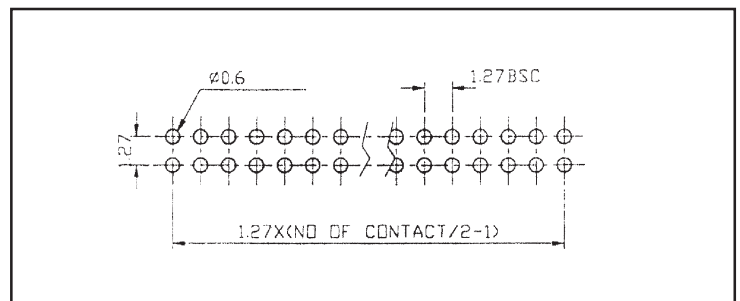


DRAWING

ORDER INFORMATION:

CPRA XX - D - X - X
1 2 3 4 5

- SERIES** CPRA DUAL ROW THROUGH BOARD RECEPTACLE, 1.27mm SPACING
- NUMBER OF CONTACTS**
006 TO 68 CONTACTS
- CONTACT ARRANGEMENT CODE**
D...DUAL ROW
- RECEPTACLE HEIGHT**
1...4.30MM
2...3.40MM
- CONTACT PLATING**
1...GOLD FLASH
6...SELECTIVE GOLD FLASH
9...SELECTIVE 30u" GOLD



P.C.B. LAYOUT