

2.54mm HEADER FEMALE

Distributed by Electro-Stock, Inc. sales@electrostock.com
630-682-1542 Fax 630-682-1562 http://www.electrostock.com

- SINGLE, DOUBLE, TRIPLE ROW
- DIP TYPE
- STRAIGHT, RIGHT ANGLE

SPECIFICATION:

INSULATOR MATERIAL:
GLASS FILLED THERMOPLASTIC POLYESTER

FLAMMABILITY RATING:
UL94V-0

INSULATION RESISTANCE:
1000 MEGOHMS AT 500V DC

OPERATING TEMPERATURE RANGE:
-40° C TO +105° C

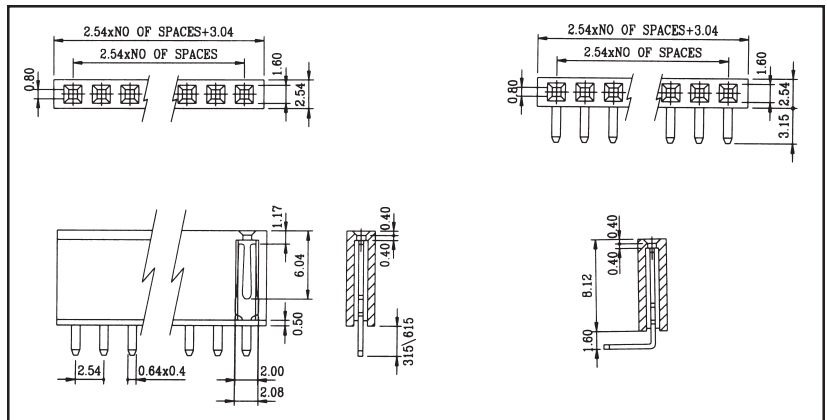
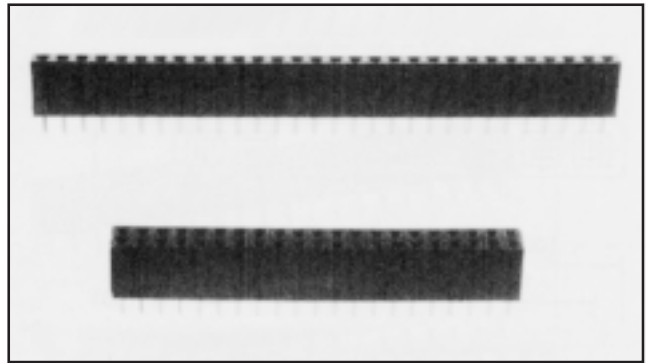
DIELECTRIC STRENGTH:
AC 500V MIN.

CONTACT MATERIAL:
PHOSPHOR BRONZE

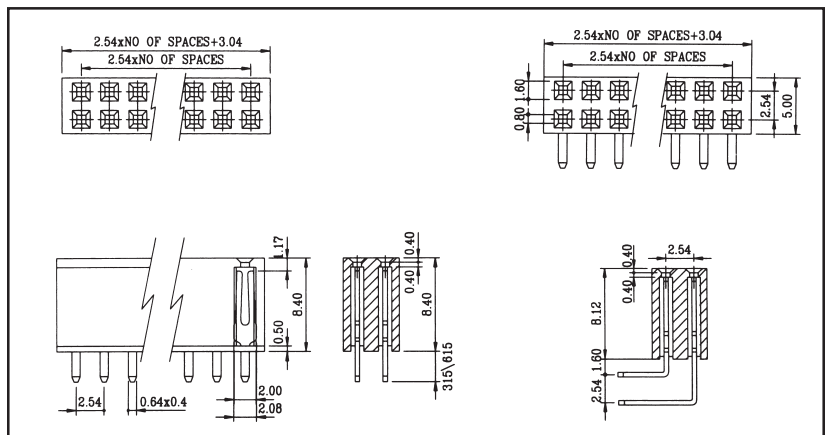
CONTACT PLATING:
REFER TO ORDER INFORMATION

CURRENT RATING:
3 AMP

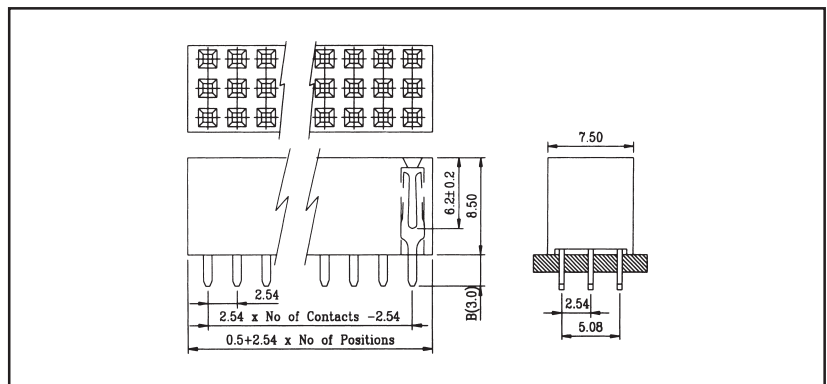
CONTACT RESISTANCE:
20 MILLIOHMS MAX. AT 1A DC



SINGLE ROW - DRAWING



DUAL ROW - DRAWING

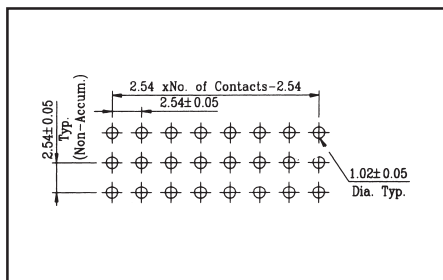


TRIPLE ROW - DRAWING

ORDER INFORMATION:

CPR XX X X X
1 2 3 4 5

- 1: **SERIES** CPR THROUGH BOARD RECEPTACLE, STANDARD PROFILE, 2.54mm SPACING
- 2: **NUMBER OF CONTACTS**
02 TO 36 CONTACTS - SINGLE ROW
04 TO 72 CONTACTS - DUAL ROW
09 TO 120 CONTACTS - TRIPLE ROW
- 3: **CONTACT ARRANGEMENT CODE**
S...SINGLE ROW
D...DUAL ROW
T...TRIPLE ROW
- 4: **SOLDER TAIL**
BLANK...STRAIGHT
R...RIGHT ANGLE - SINGLE AND DUAL ROW ONLY
- 5: **CONTACT PLATING**
0...TIN
1...GOLD FLASH
4...15u" GOLD
5...30u" GOLD



P.C.B. LAYOUT