

2.00mm HEADER MALE

Distributed by Electro-Stock, Inc. sales@electrostock.com
630-682-1542 Fax 630-682-1562 http://www.electrostock.com

- DOUBLE ROW
- SMT TYPE
- DOUBLE BASE
- WITH POST OPTION

SPECIFICATION:

INSULATOR MATERIAL:
NYLON 6 T

FLAMMABILITY RATING:
UL94V-0

INSULATION RESISTANCE:
5000 MEGOHMS MIN.
PER MIL-STD-1344A METHOD 3003.1

OPERATING TEMPERATURE RANGE:
-55° C TO +105° C

DIELECTRIC STRENGTH:
1000V AC MIN.
PER MIL-STD-1344A METHOD 3001.1

CONTACT MATERIAL:
COPPER ALLOYS

PLATING:
REFER TO ORDER INFORMATION

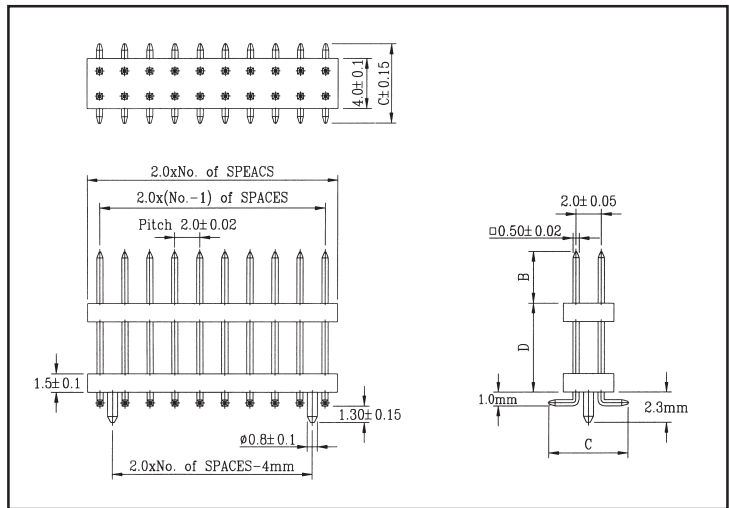
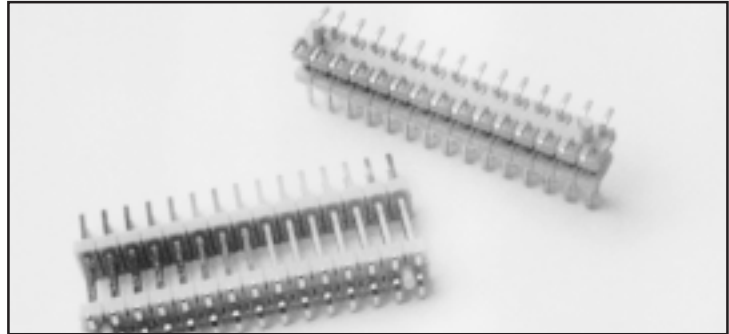
CURRENT RATING:
1 A

CONTACT RESISTANCE:
20 MILLIOHMS MAX.
PER MIL-STD-1344A METHOD 3002.1

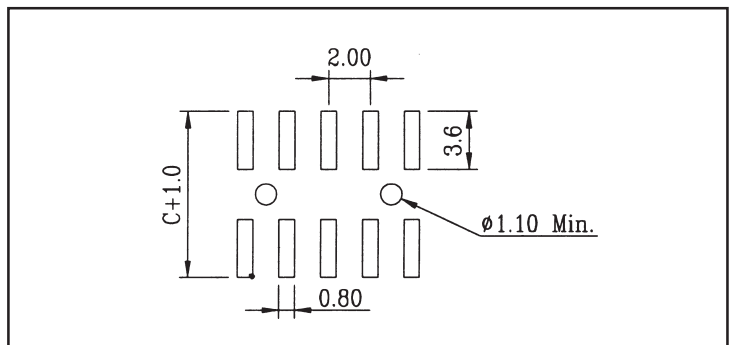
DURABILITY:
100 CYCLES
PER MIL-STD-1344A METHOD 2016

SOLDERABILITY:
PER MIL-STD-202F METHOD 208D

MAXIMUM PROCESSING TEMPERATURE:
260° C FOR 10 SECONDS



DRAWING



P.C.B. LAYOUT

ORDER INFORMATION:

C9H D M XX - 1 - XX - X - X
1 2 3 4 5 6 7 8

- 1: **SERIES** C9H DUAL INSULATOR HEADER, SURFACE MOUNT, WITH OR WITHOUT POSTS, 2.00mm SPACING
- 2: **CONTACT ARRANGEMENT CODE**
D...DUAL ROW
- 3: **SOLDER TAIL**
M...SURFACE MOUNT
- 4: **NUMBER OF CONTACTS**
04 TO 64 CONTACTS
- 5: **INSULATOR COLOR CODE**
1...BLACK
- 6: **DIMENSIONAL CODE NUMBER**
SEE CHART ON THIS PAGE
- 7: **CONTACT PLATING**
0...TIN
1...GOLD FLASH
6...SELECTIVE GOLD FLASH
9...30u" SELECTIVE GOLD
- 8: **POST OPTION**
BLANK...WITHOUT POSTS
P...WITH POSTS

CONSULT FACTORY FOR OTHER PIN LENGTH REQUIREMENTS.

CODE NO.	DIMENSION (mm)		
	B	C	D
01	4.00	6.50	10.00
02	4.00	6.50	6.00
03	4.00	6.50	12.60

DIMENSION INFORMATION