

2.00mm HEADER MALE

Distributed by Electro-Stock, Inc. sales@electrostock.com
630-682-1542 Fax 630-682-1562 http://www.electrostock.com

- DIP TYPE
- STRAIGHT (180°)
- DOUBLE BASE

SPECIFICATION:

INSULATOR MATERIAL:
NYLON 6 T

FLAMMABILITY RATING:
UL94V-0

INSULATION RESISTANCE:
5000 MEGOHMS MIN.
PER MIL-STD-1344A METHOD 3003.1

OPERATING TEMPERATURE RANGE:
-55° C TO +105° C

DIELECTRIC STRENGTH:
1000V AC MIN.
PER MIL-STD-1344A METHOD 3001.1

CONTACT MATERIAL:
COPPER ALLOYS

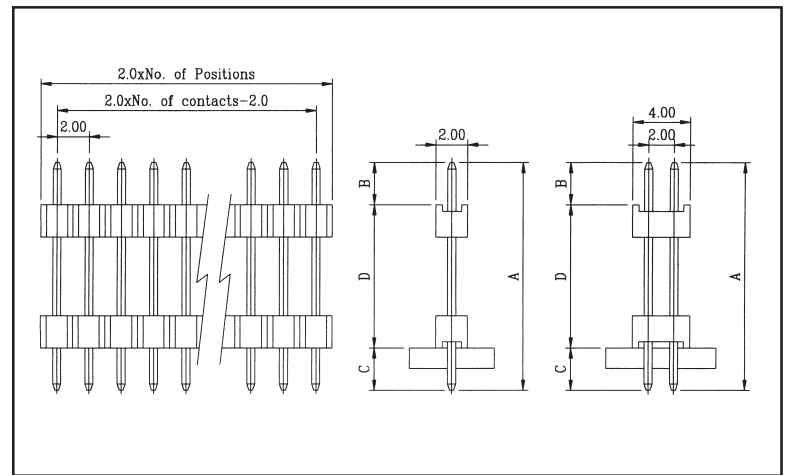
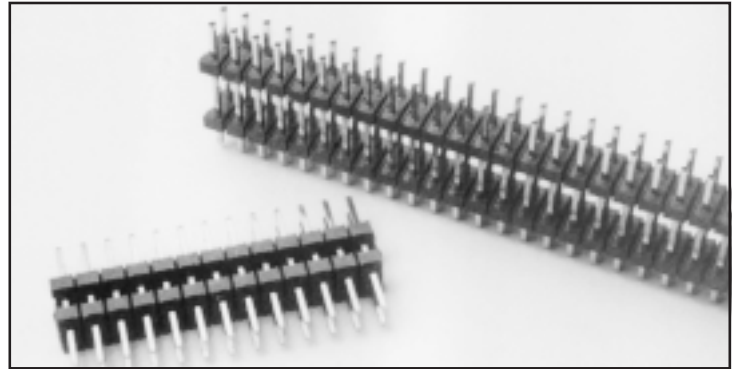
PLATING:
REFER TO ORDER INFORMATION

CURRENT RATING:
1 A

CONTACT RESISTANCE:
20 MILLIOHMS MAX.
PER MIL-STD-1344A METHOD 3002.1

DURABILITY:
100 CYCLES
PER MIL-STD-1344A METHOD 2016

SOLDERABILITY:
PER MIL-STD-202F METHOD 208D

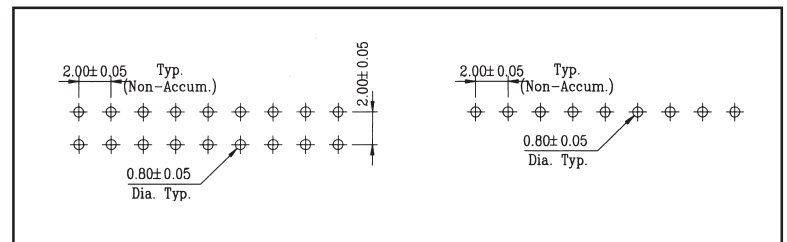


DRAWING

ORDER INFORMATION:

C8H S S XX - 1 - XX - X
1 2 3 4 5 6 7

- 1: **SERIES** C8H DUAL INSULATOR HEADER, THROUGH BOARD, 2.00mm SPACING
- 2: **CONTACT ARRANGEMENT CODE**
S...SINGLE ROW
D...DUAL ROW
- 3: **SOLDER TAIL**
S...STRAIGHT
- 4: **NUMBER OF CONTACTS**
01 TO 32 CONTACTS (SINGLE ROW)
04 TO 64 CONTACTS (DUAL ROW)
- 5: **INSULATOR COLOR CODE**
1...BLACK
- 6: **DIMENSIONAL CODE NUMBER**
SEE CHART ON THIS PAGE
- 7: **CONTACT PLATING**
0...TIN
6...SELECTIVE GOLD FLASH
8...15u" SELECTIVE GOLD
9...30u" SELECTIVE GOLD



P.C.B. LAYOUT

CODE NO.	DIMENSION (mm)			
	A	B	C	D
01	10.20	4.00	3.20	3.00
02	10.20	4.90	2.30	3.00
03	20.50	4.00	2.50	14.00
04	16.85	4.00	3.15	9.70
05	16.85	2.40	2.45	12.00
06	16.85	2.68	2.68	11.49
07	16.85	2.92	2.92	11.01
08	18.15	3.05	3.10	12.00

DIMENSION INFORMATION

CONSULT FACTORY FOR OTHER PIN LENGTH REQUIREMENTS.