

2.00mm HEADER FEMALE

Distributed by Electro-Stock, Inc. sales@electrostock.com
630-682-1542 Fax 630-682-1562 http://www.electrostock.com

- THROUGH HOLE RECEPTACLE
- TOP OR BOTTOM ENTRY
- FIVE OR SIX MILLIMETER FOOTPRINT

SPECIFICATION:

INSULATOR MATERIAL:
GLASS FILLED THERMOPLASTIC
POLYESTER (BLACK)

FLAMMABILITY RATING:
UL 94V-0

INSULATION RESISTANCE:
1000 MEGOHMS MIN. AT 500V DC

OPERATING TEMPERATURE RANGE:
-40° C TO +105° C

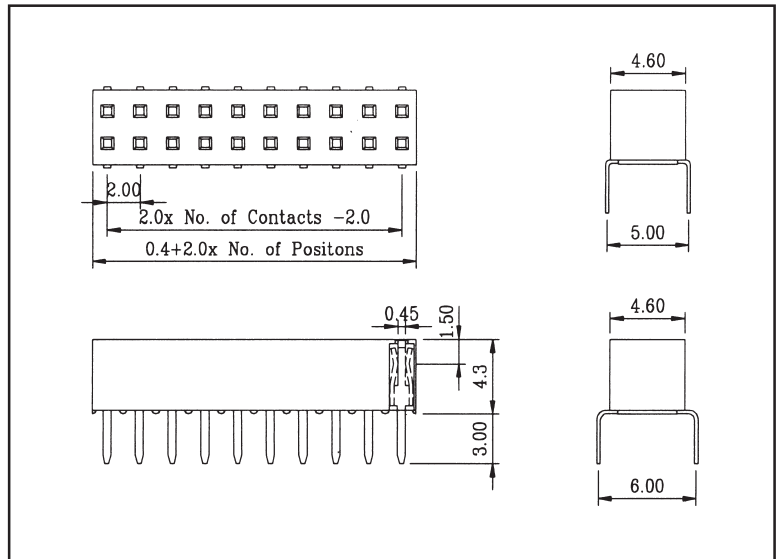
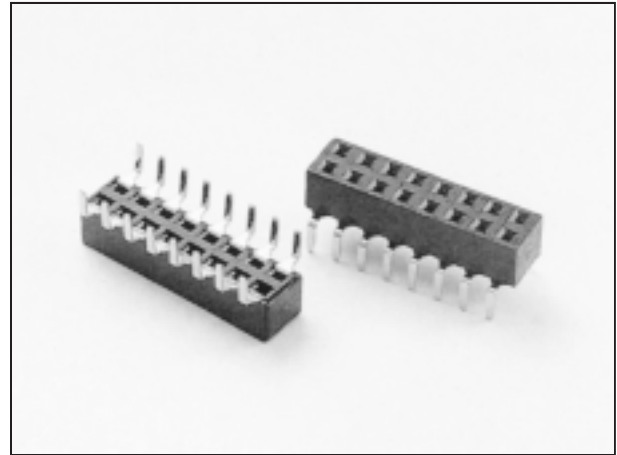
DIELECTRIC STRENGTH:
500V AC FOR 1 MINUTE

CONTACT MATERIAL:
PHOSPHOR BRONZE

CONTACT PLATING:
SEE ORDER INFORMATION

CURRENT RATING:
3 AMPS

CONTACT RESISTANCE:
20 MILLIOHMS MAX. AT 1A DC

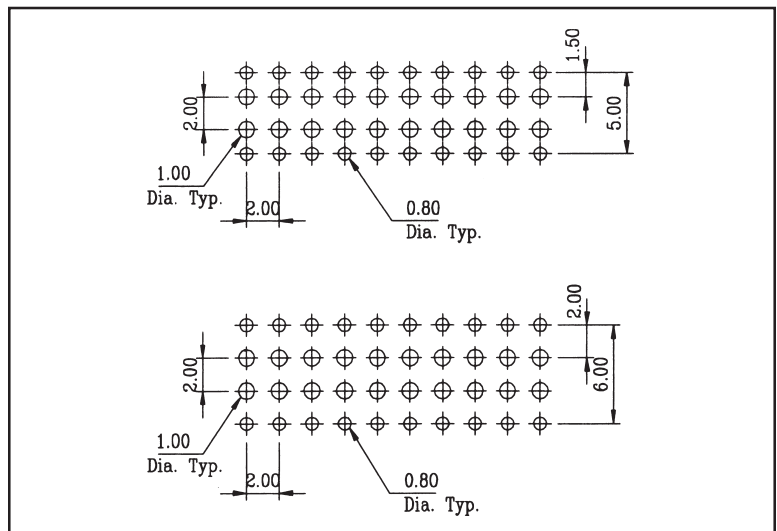


DRAWING

ORDER INFORMATION:

C620R XX - X - X - X
1 2 3 4 5

- 1: **SERIES** C620R DUAL ENTRY THROUGH HOLE RECEPTACLE
- 2: **NUMBER OF CONTACTS** 06 TO 80 CONTACTS
- 3: **CONTACT ARRANGEMENT** D...DUAL ROW
- 4: **CONTACT FOOTPRINT DIMENSION**
1...5.00mm CONTACT WIDTH
2...6.00mm CONTACT WIDTH
- 5: **CONTACT PLATING**
0...TIN
1...GOLD FLASH
6...SELECTIVE GOLD FLASH
9...SELECTIVE 30u" GOLD



P.C.B. LAYOUT