

# 2.00mm HEADER FEMALE

Distributed by Electro-Stock, Inc. sales@electrostock.com  
630-682-1542 Fax 630-682-1562 http://www.electrostock.com

- SIDE ENTRY
- SMT OR THROUGH HOLE

## SPECIFICATION:

**INSULATOR MATERIAL:**  
GLASS FILLED THERMOPLASTIC  
POLYESTER (BLACK)

**FLAMMABILITY RATING:**  
UL 94V-0

**INSULATION RESISTANCE:**  
1000 MEGOHMS MIN. AT 500V DC

**OPERATING TEMPERATURE RANGE:**  
-40° C TO +105° C

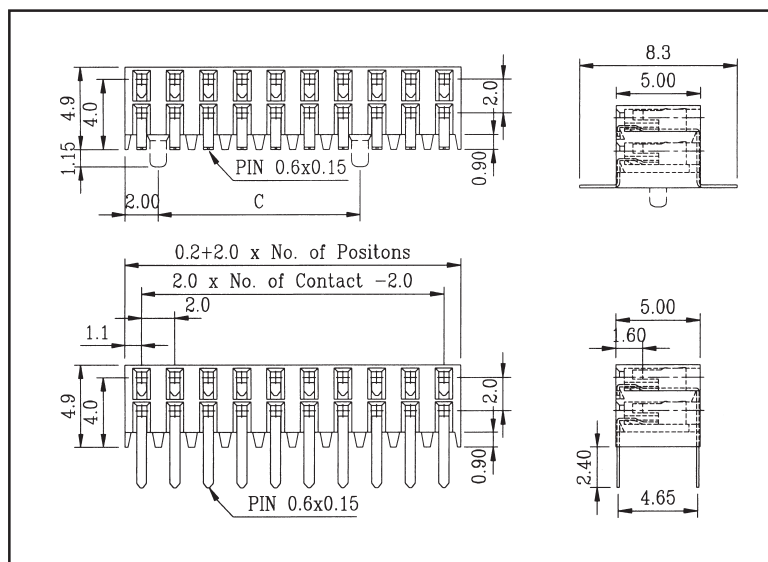
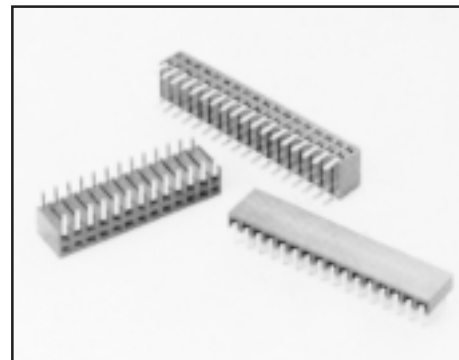
**DIELECTRIC STRENGTH:**  
500V AC FOR 1 MINUTE

**CONTACT MATERIAL:**  
PHOSPHOR BRONZE

**CONTACT PLATING:**  
SEE ORDER INFORMATION

**CURRENT RATING:**  
3 AMPS

**CONTACT RESISTANCE:**  
20 MILLIOHMS MAX. AT 1A DC

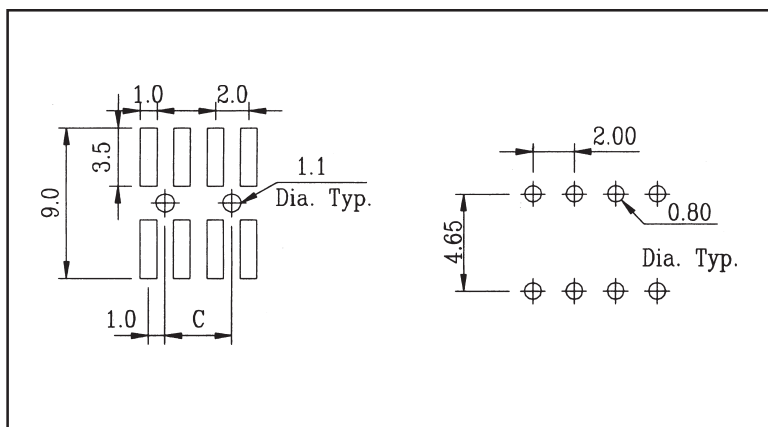


DRAWING

## ORDER INFORMATION:

**C619R XX - XX - XX - X**  
1 2 3 4 5

- 1: **SERIES** C619R SIDE ENTRY  
DUAL ROW RECEPTACLE
- 2: **NUMBER OF CONTACTS**  
06 TO 50 CONTACTS
- 3: **CONTACT ARRANGEMENT**  
D...DUAL ROW SIDE ENTRY
- 4: **PCB CONTACT TYPE**  
A...THROUGH HOLE  
B...SURFACE MOUNT
- 5: **CONTACT PLATING**  
0...TIN  
1...GOLD FLASH  
6...SELECTIVE GOLD FLASH  
9...SELECTIVE 30u" GOLD



P.C.B. LAYOUT