

1.27mm HEADER MALE

Distributed by Electro-Stock, Inc. sales@electrostock.com
630-682-1542 Fax 630-682-1562 http://www.electrostock.com

- DOUBLE ROW
- RIGHT ANGLE
- 1.27mm X 2.54mm

SPECIFICATION:

INSULATOR MATERIAL:
THERMOPLASTIC

FLAMMABILITY RATING:
UL 94V-0

INSULATION RESISTANCE:
5000 MEGOHMS MIN.
PER MIL-STD-1344A METHOD 3003.1

OPERATING TEMPERATURE RANGE:
-55° C TO +105° C

DIELECTRIC STRENGTH:
600V AC MIN.
PER MIL-STD-1344A METHOD 3001.1

CONTACT MATERIAL:
COPPER ALLOYS

CURRENT RATING:
1 A

CONTACT RESISTANCE:
30 MILLIOHMS MAX.
PER MIL-STD-1344A METHOD 3002.1

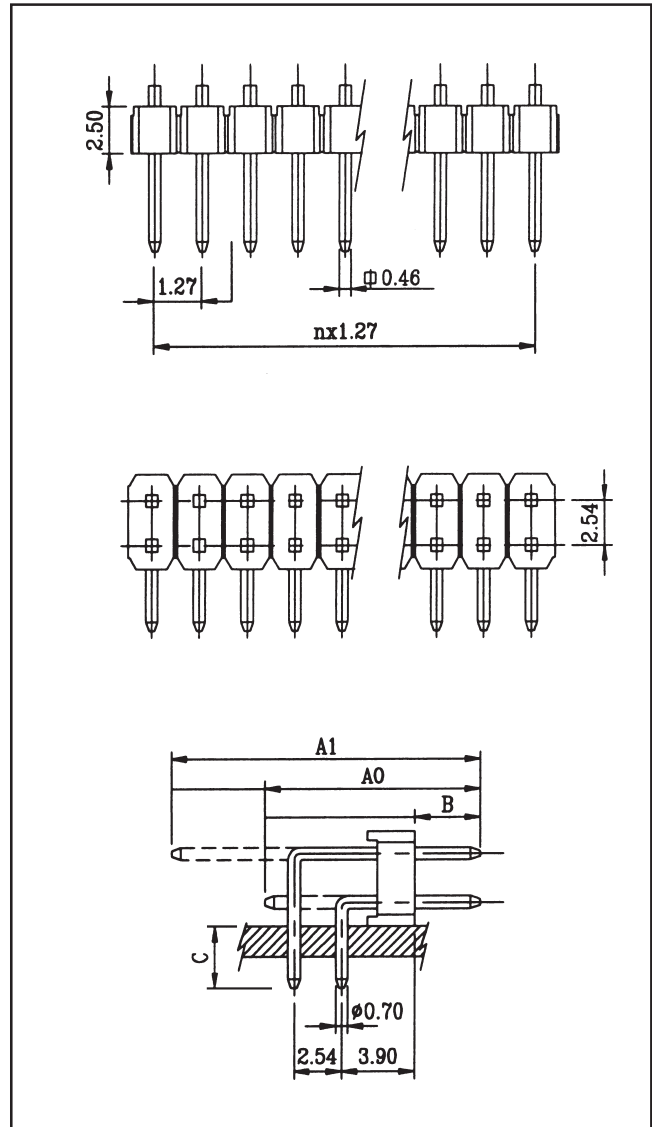
DURABILITY:
50 CYCLES
PER MIL-STD-1344A METHOD 3002.1

SOLDERABILITY:
PER MIL-STD-202F METHOD 208D

ORDER INFORMATION:

C600H D XXX - 1 - XX - X
1 2 3 4 5 6

- 1: **SERIES** C600H THROUGH BOARD,
DUAL ROW, RIGHT ANGLE HEADER,
1.27mm X 2.54mm SPACING
- 2: **CONTACT ARRANGEMENT CODE**
D...DUAL ROW
- 3: **NUMBER OF CONTACTS**
010 TO 100 DUAL ROW
- 4: **INSULATOR COLOR CODE**
1...BLACK
- 5: **DIMENSIONAL CODE NUMBER**
SEE CHART ON THIS PAGE
- 6: **CONTACT PLATING**
0...TIN
6...SELECTIVE 15u" GOLD
9...SELECTIVE 30u" GOLD



DRAWING

TERMINAL CODE	DIMENSION (mm)				
	A0	A1	A	B	C
12	10.30	15.30	9.50	2.80	2.60
13	11.50	16.50	10.70	4.00	2.60
14	13.50	18.50	12.70	6.00	2.60

DIMENSION INFORMATION