

1.27mm HEADER MALE

Distributed by Electro-Stock, Inc. sales@electrostock.com
630-682-1542 Fax 630-682-1562 http://www.electrostock.com

- DOUBLE ROW
- DIP TYPE
- STRAIGHT (180°)
- 1.27mm X 2.54mm

SPECIFICATION:

INSULATOR MATERIAL:
NYLON 6 T

FLAMMABILITY RATING:
UL 94V-0

INSULATION RESISTANCE:
5000 MEGOHMS MIN.
PER MIL-STD-1344A METHOD 3003.1

OPERATING TEMPERATURE RANGE:
-55° C TO +105° C

DIELECTRIC STRENGTH:
600V AC MIN.
PER MIL-STD-1344A METHOD 3001.1

CONTACT MATERIAL:
COPPER ALLOYS

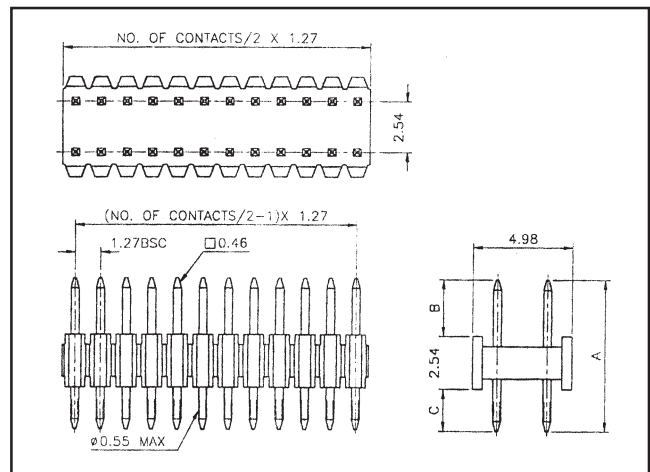
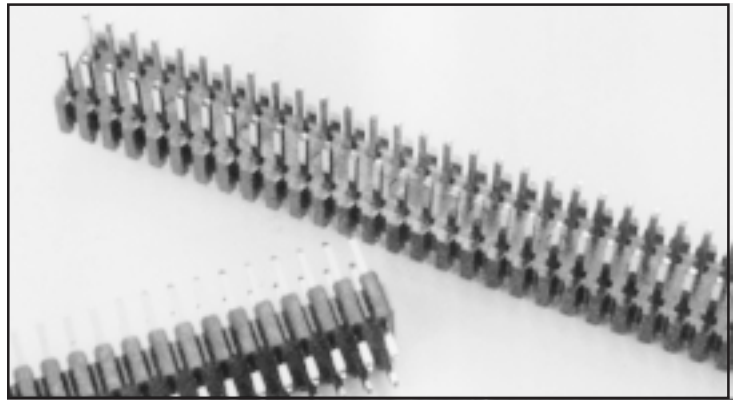
PLATING:
REFER TO ORDER INFORMATION

CURRENT RATING:
1 A

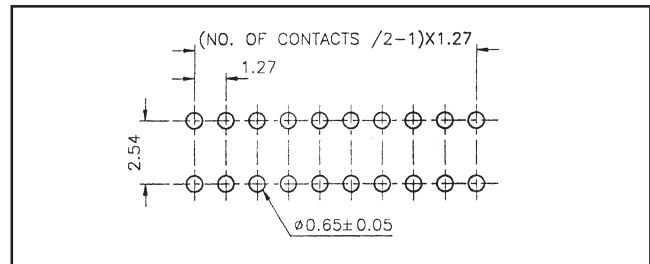
CONTACT RESISTANCE:
30 MILLIOHMS MAX.
PER MIL-STD-1344A METHOD 3002.1

DURABILITY:
50 CYCLES
PER MIL-STD-1344A METHOD 2016

SOLDERABILITY:
PER MIL-STD-202F METHOD 208D



DRAWING



P.C.B. LAYOUT

ORDER INFORMATION:

C22H D S XXX - 1 - XX - X
1 2 3 4 5 6 7

- 1: **SERIES** C22H THROUGH BOARD DUAL ROW
HEADER, 1.27mm X 2.54mm SPACING
- 2: **CONTACT ARRANGEMENT CODE**
D...DUAL ROW ONLY
- 3: **SOLDER TAIL**
S...STRAIGHT
- 4: **NUMBER OF CONTACTS**
010 TO 100 CONTACTS
- 5: **INSULATOR COLOR CODE**
1...BLACK
- 6: **DIMENSIONAL CODE NUMBER**
SEE CHART ON THIS PAGE
- 7: **CONTACT PLATING**
0...TIN
6...SELECTIVE GOLD FLASH
9...SELECTIVE 30u" GOLD

CONSULT FACTORY FOR PIN LENGTHS NOT SHOWN.

CODE NO.	DIMENSION (mm)		
	A	B	C
01	11.54	6.00	3.00

DIMENSION INFORMATION