

1.27mm HEADER MALE

Distributed by Electro-Stock, Inc. sales@electrostock.com
630-682-1542 Fax 630-682-1562 http://www.electrostock.com

- DOUBLE ROW
- SMT BOX TYPE
- 1.27mm X 1.27mm

SPECIFICATION:

INSULATOR MATERIAL:
NYLON 6 T

FLAMMABILITY RATING:
UL 94V-0

INSULATION RESISTANCE:
5000 MEGOHMS MIN.
PER MIL-STD-1344A METHOD 3003.1

OPERATING TEMPERATURE RANGE:
-55° C TO +105° C

DIELECTRIC STRENGTH:
600V AC MIN.
PER MIL-STD-1344A METHOD 3001.1

CONTACT MATERIAL:
COPPER ALLOYS

PLATING:
REFER TO ORDER INFORMATION

CURRENT RATING:
1 A

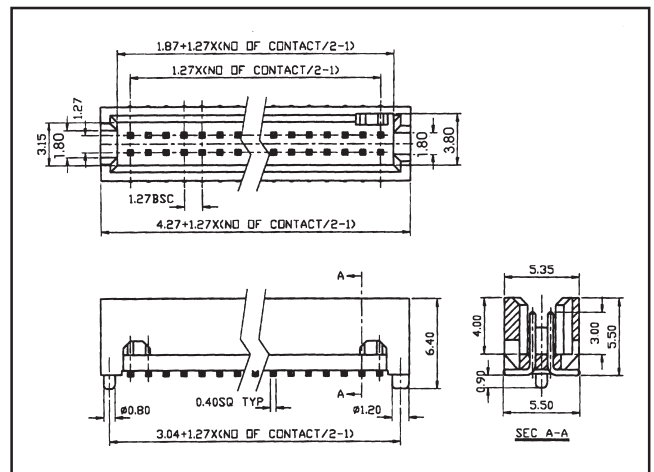
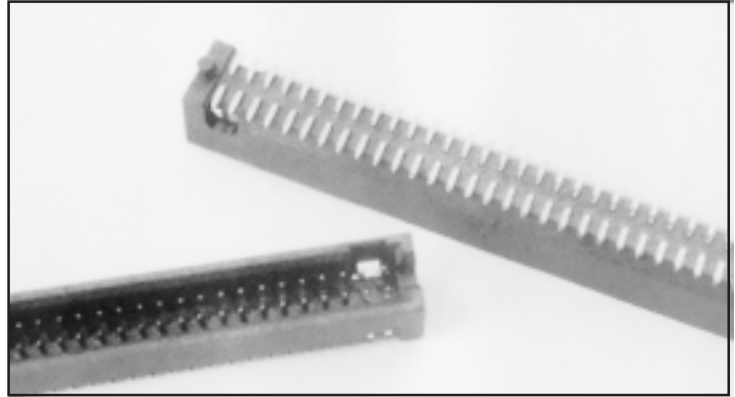
CONTACT RESISTANCE:
30 MILLIOHMS MAX.
PER MIL-STD-1344A METHOD 3002.1

DURABILITY:
50 CYCLES
PER MIL-STD-1344A METHOD 2016

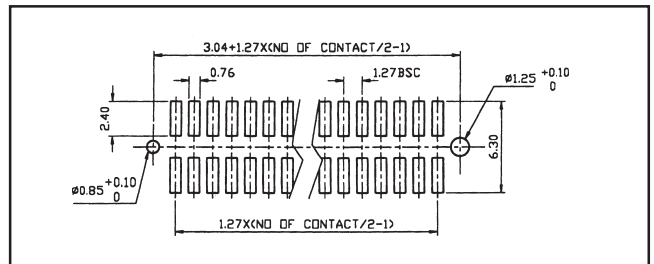
RETENTION FORCE:
1 POUND AVG.
PER MIL-STD-1344A METHOD 2007.1

SOLDERABILITY:
PER MIL-STD-202F METHOD 208D

MAXIMUM PROCESSING TEMPERATURE:
260° C FOR 10 SECONDS



DRAWING



P.C.B. LAYOUT

ORDER INFORMATION:

C18H XXX - 1 - X
1 2 3 4

- SERIES** C18H SURFACE MOUNT BOX
HEADER, DUAL ROW, 1.27mm
SPACING
- NUMBER OF CONTACTS**
010 TO 100 CONTACTS
- INSULATOR COLOR CODE**
1...BLACK
- CONTACT PLATING**
0...TIN
6...SELECTIVE GOLD FLASH
9...SELECTIVE 30u" GOLD