

1.27mm HEADER MALE

Distributed by Electro-Stock, Inc. sales@electrostock.com
630-682-1542 Fax 630-682-1562 http://www.electrostock.com

- DOUBLE ROW
- DIP TYPE
- DOUBLE BASE
- LOW PROFILE
- 1.27mm X 1.27mm

SPECIFICATION:

INSULATOR MATERIAL:
NYLON 6 T

FLAMMABILITY RATING:
UL 94V-0

INSULATION RESISTANCE:
5000 MEGOHMS MIN.
PER MIL-STD-1344A METHOD 3003.1

OPERATING TEMPERATURE RANGE:
-55° C TO +105° C

DIELECTRIC STRENGTH:
600V AC MIN.
PER MIL-STD-1344A METHOD 3001.1

CONTACT MATERIAL:
COPPER ALLOYS

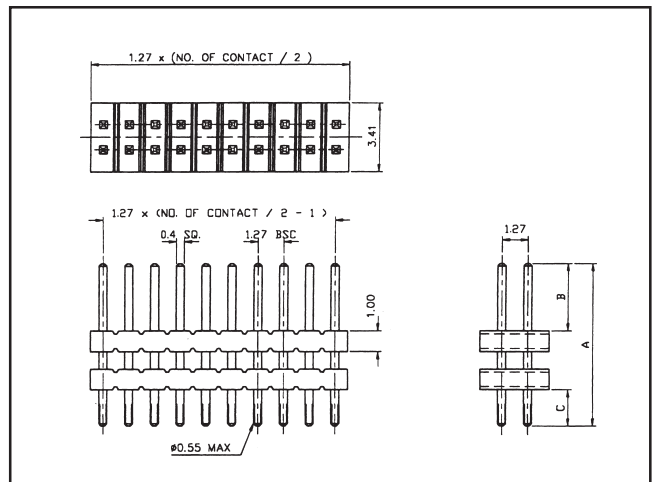
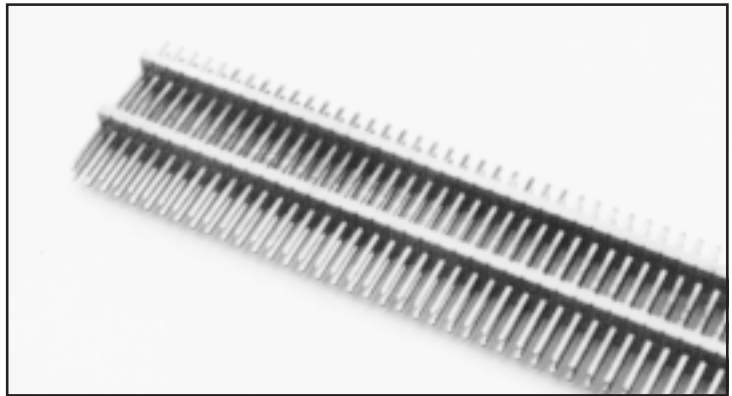
PLATING:
REFER TO ORDER INFORMATION

CURRENT RATING:
1 A

CONTACT RESISTANCE:
30 MILLIOHMS MAX.
PER MIL-STD-1344A METHOD 3002.1

DURABILITY:
50 CYCLES

SOLDERABILITY:
PER MIL-STD-202F METHOD 208D



DRAWING

ORDER INFORMATION:

C14H D S XXX - 1 - XX - X
1 2 3 4 5 6 7

1: SERIES C14H DUAL INSULATOR HEADER THROUGH BOARD, 1.27mm SPACING

2: CONTACT ARRANGEMENT CODE
D...DUAL ROW ONLY

3: SOLDER TAIL
S...STRAIGHT

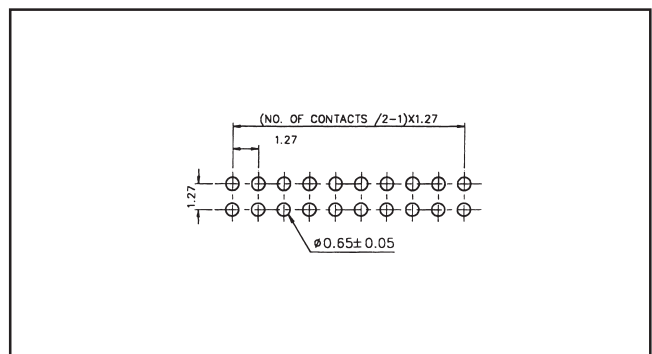
4: NUMBER OF CONTACTS
004 TO 100 CONTACTS

5: INSULATOR COLOR CODE
1...BLACK

6: DIMENSIONAL CODE NUMBER
SEE CHART ON THIS PAGE

7: CONTACT PLATING
0...TIN
6...SELECTIVE GOLD FLASH
9...SELECTIVE 30u" GOLD

CONSULT FACTORY FOR OTHER PIN LENGTH REQUIREMENTS.



P.C.B. LAYOUT

CODE NO.	DIMENSION (mm)		
	A	B	C
01	8.20	3.00	2.85
02	14.33	3.00	2.85
03	15.03	3.00	2.85

DIMENSION INFORMATION