

# 1.27mm HEADER MALE

Distributed by Electro-Stock, Inc. sales@electrostock.com  
630-682-1542 Fax 630-682-1562 http://www.electrostock.com

- DOUBLE ROW
- DIP TYPE
- STRAIGHT (180°)
- LOW PROFILE
- 1.27mm X 1.27mm

## SPECIFICATION:

**INSULATOR MATERIAL:**  
NYLON 6 T

**FLAMMABILITY RATING:**  
UL 94V-0

**INSULATION RESISTANCE:**  
5000 MEGOHMS MIN.  
PER MIL-STD-1344A METHOD 3003.1

**OPERATING TEMPERATURE RANGE:**  
-55° C TO +105° C

**DIELECTRIC STRENGTH:**  
600V AC MIN.  
PER MIL-STD-1344A METHOD 3001.1

**CONTACT MATERIAL:**  
COPPER ALLOYS

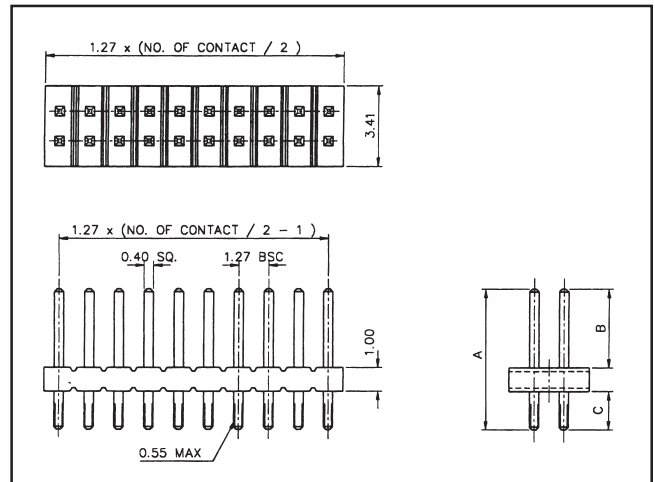
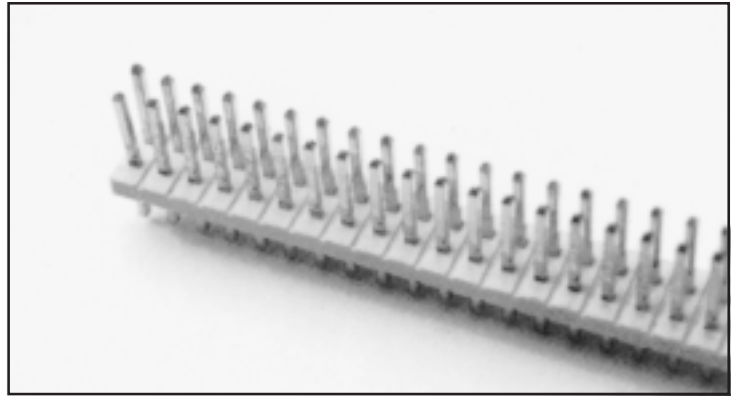
**PLATING:**  
REFER TO ORDER INFORMATION

**CURRENT RATING:**  
1 A

**CONTACT RESISTANCE:**  
30 MILLIOHMS MAX.  
PER MIL-STD-1344A METHOD 3002.1

**DURABILITY:**  
50 CYCLES

**SOLDERABILITY:**  
PER MIL-STD-202F METHOD 208D



DRAWING

## ORDER INFORMATION:

**C12H D S XXX - 1 - XX - X**  
1 2 3 4 5 6 7

**1: SERIES** C12H THROUGH BOARD HEADER  
1.27mm SPACING

**2: CONTACT ARRANGEMENT CODE**  
D...DUAL ROW ONLY

**3: SOLDER TAIL**  
S...STRAIGHT

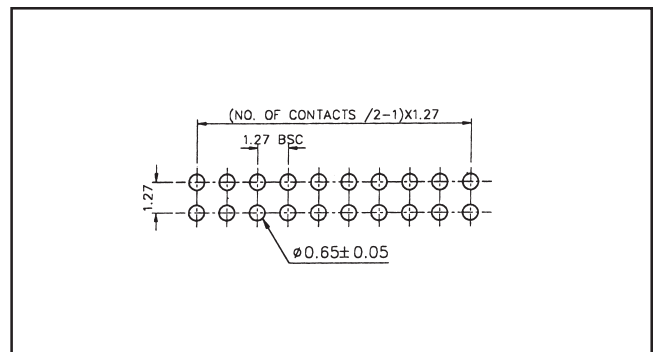
**4: NUMBER OF CONTACTS**  
004 TO 100 CONTACTS

**5: INSULATOR COLOR CODE**  
1...BLACK

**6: DIMENSIONAL CODE NUMBER**  
SEE CHART ON THIS PAGE

**7: CONTACT PLATING**  
0...TIN  
6...SELECTIVE GOLD FLASH  
9...SELECTIVE 30u" GOLD

CONSULT FACTORY FOR OTHER PIN LENGTH REQUIREMENTS.



P.C.B. LAYOUT

CODE NO.	DIMENSION (mm)		
	A	B	C
01	6.30	3.00	2.30
02	7.30	3.00	3.30
03	8.20	3.00	4.20

DIMENSION INFORMATION