

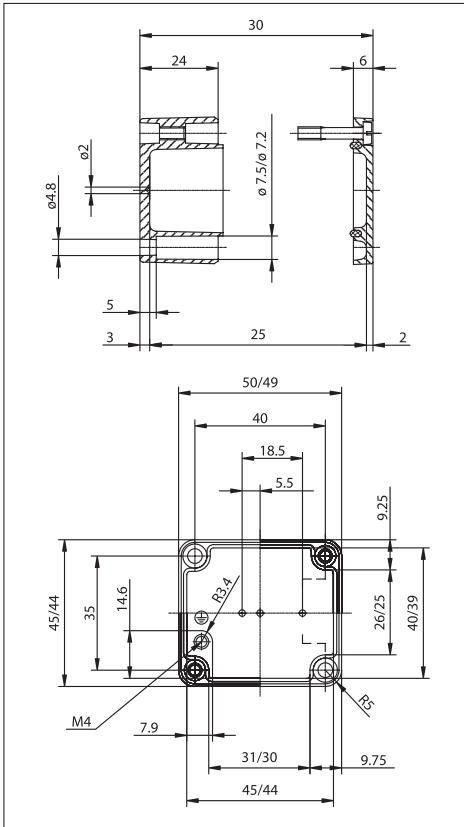
CONTA-BOX housing systems

Aluminium housings

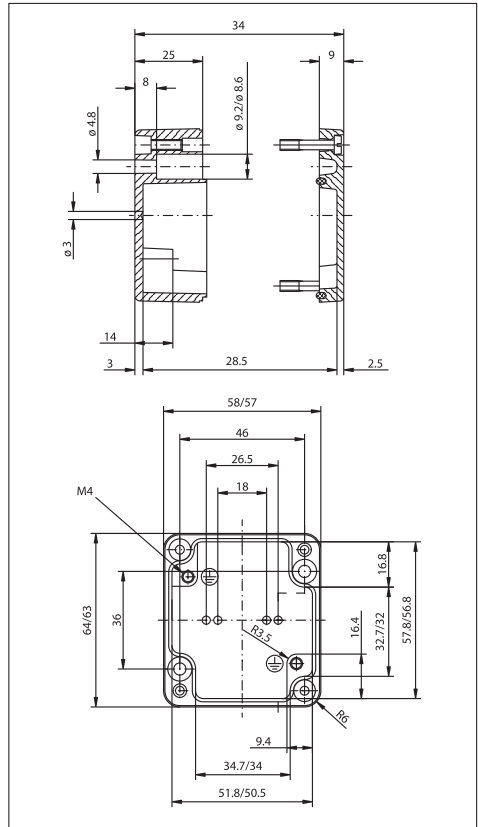
Material: AISi 12, DIN 1725
 Protection class: IP66 acc. to EN 60529
 Temperature resistance: -40° to 90° C
 Impact resistance: >7 Joule, EN 50014

Distributed by Electro-Stock, Inc.
 sales@electrostock.com
 630-682-1542 Fax 630-682-1562
 http://www.electrostock.com

CA 50/30



CA 58/34



Dimension (L x W x H) / Weight / Colour

Outside dimensions

Height of cover mm

Weight g

Colour of housing

Type

Aluminium

Cat. no./Qty. p. pck.

Aluminium

Cat. no./Qty. p. pck.

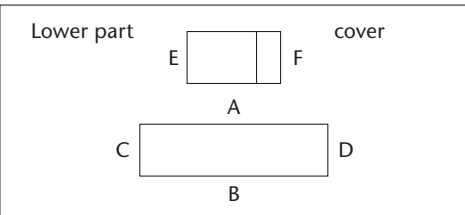
Aluminium

Cat. no./Qty. p. pck.

Aluminium

Cat. no./Qty. p. pck.

Possible threaded holes



50 x 45 x 30

6

70

grey, similar to RAL 7001

CA 50/30
4000.0/1

M	A/B	C/D	PG	A/B	C/D
M12	2	1	7	2	1
M16			9	1	
M20			11		
M25			13,5		
M32			16		
M40			21		
M50			29		
M63			36		
			42		

58 x 64 x 34

9

140

grey, similar to RAL 7001

CA 58/34
4001.0/1

M	A/B	C/D	PG	A/B	C/D
M12	2	1	7	2	1
M16			9	1	1
M20			11		
M25			13,5		
M32			16		
M40			21		
M50			29		
M63			36		
			42		

Accessories

Mounting rail section TS 15

Cat. no./Qty. p. pck.

Mounting rail section TS 35

Cat. no./Qty. p. pck.

Fastening screw

Cat. no./Qty. p. pck.

Mounting plate MP

Cat. no./Qty. p. pck.

Wall brackets WL

Cat. no./Qty. p. pck.

Outer joint (pair) AG

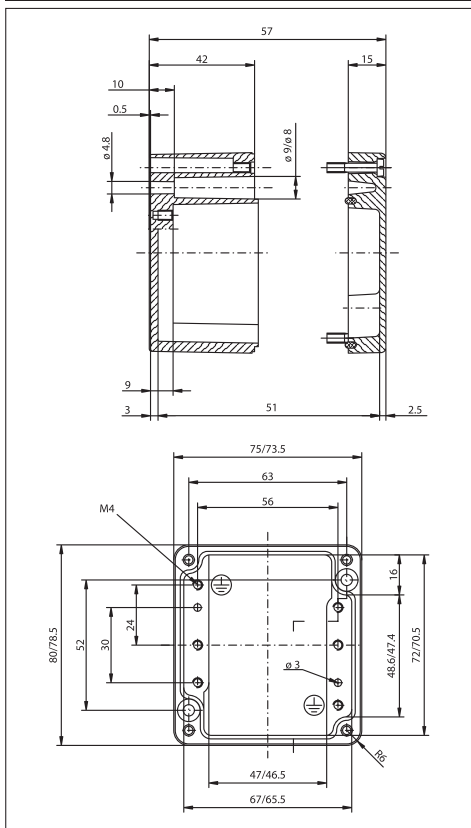
Cat. no./Qty. p. pck.

Further Accessories

Screwed cable glands, screwed sealing plugs etc. you can find on the pages for accessories specified below!

CONTA-BOX housing systems

CA 75/57



75 x 80 x 57

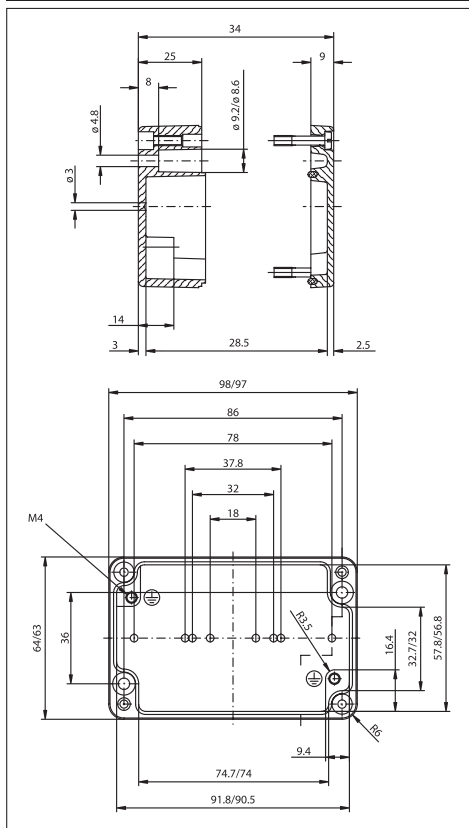
15

280

grey, similar to RAL 7001

CA 75/57
4003.0/1

CA 98/34



98 x 64 x 34

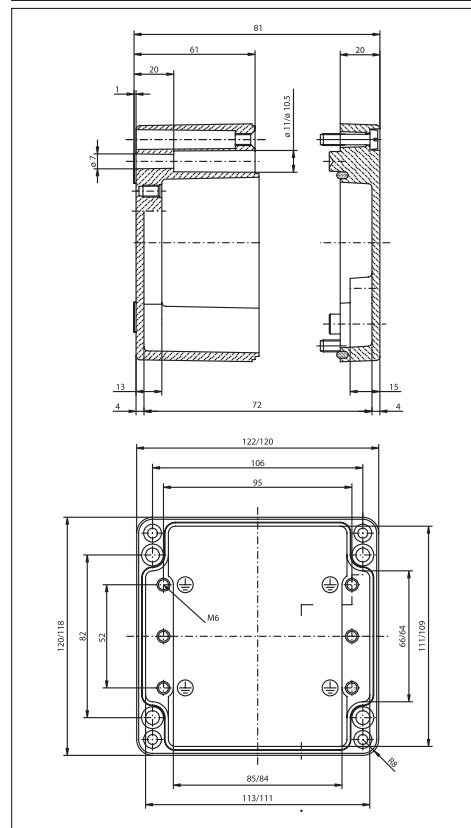
9

200

grey, similar to RAL 7001

CA 98/34
4002.0/1

CA 122/80



122 x 120 x 80

20

940

grey, similar to RAL 7001

CA 122/80
4007.0/1

M	A/B	C/D	PG	A/B	C/D
M12	6	5	7	6	5
M16	2	2	9	4	2
M20	2	2	11	2	2
M25	1		13,5	2	2
M32			16	1	1
M40			21	1	
M50			29		
M63			36		
			42		

TS 15/63 mm long
4510.7/1

BS M 4 x 5
4557.0/100
MP/A 75
4500.7/1

M	A/B	C/D	PG	A/B	C/D
M12	4	1	7	4	1
M16			9	3	1
M20			11		
M25			13,5		
M32			16		
M40			21		
M50			29		
M63			36		
			42		

TS 15/87 mm long
4559.2/1

BS M 4 x 5
4557.0/100

M	A/B	C/D	PG	A/B	C/D
M12	16	11	7	16	11
M16	8	5	9	11	6
M20	6	4	11	6	4
M25	3	2	13,5	6	3
M32	2	1	16	5	2
M40			21	2	2
M50			29	2	1
M63			36		
			42		

TS 35/107 mm long

4507.1/1
BS M 6 x 8
4558.0/100
MP/A 122
4500.5/1
WL
4509.3/1
AG
4509.6/1

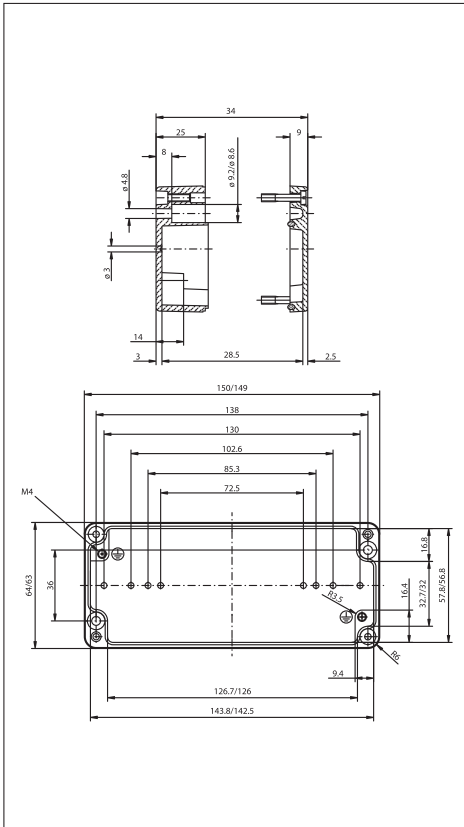
CONTA-BOX housing systems

Aluminium housings

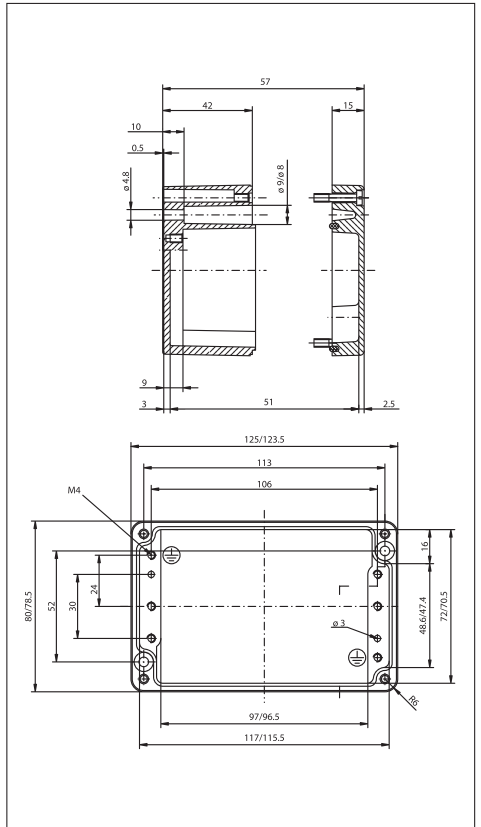
Material: AISi 12, DIN 1725
 Protection class: IP66 acc. to EN 60529
 Temperature resistance: -40° to 90° C
 Impact resistance: >7 Joule, EN 50014

Distributed by Electro-Stock, Inc.
 sales@electrostock.com
 630-682-1542 Fax 630-682-1562
 http://www.electrostock.com

CA 115/34



CA 125/57



Dimension (L x W x H) / Weight / Colour

Outside dimensions

Height of cover mm

Weight g

Colour of housing

Type

Aluminium

Cat. no./Qty. p. pck.

Aluminium

Cat. no./Qty. p. pck.

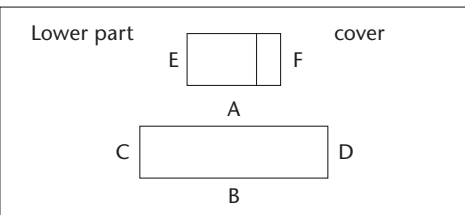
Aluminium

Cat. no./Qty. p. pck.

Aluminium

Cat. no./Qty. p. pck.

Possible threaded holes



115 x 64 x 34,5

9

230

grey, similar to RAL 7001

CA 115/34

4005.0/1

M	A/B	C/D	PG	A/B	C/D
M12	8	1	7	8	1
M16			9	6	1
M20			11		
M25			13,5		
M32			16		
M40			21		
M50			29		
M63			36		
			42		

125 x 80 x 57

15

355

grey, similar to RAL 7001

CA 125/57

4004.0/1

M	A/B	C/D	PG	A/B	C/D
M12	12	5	7	12	5
M16	5	2	9	8	2
M20	4	2	11	5	2
M25	3		13,5	4	2
M32			16	3	1
M40			21	2	
M50			29		
M63			36		
			42		

Accessories

Mounting rail section TS 15

Cat. no./Qty. p. pck.

Mounting rail section TS 35

Cat. no./Qty. p. pck.

Fastening screw

Cat. no./Qty. p. pck.

Mounting plate MP

Cat. no./Qty. p. pck.

Wall brackets WL

Cat. no./Qty. p. pck.

Outer joint (pair) AG

Cat. no./Qty. p. pck.

TS 15/110 mm long

4510.8/1

BS M 4 x 5

4557.0/100

MP/A 125

4500.9/1

Further Accessories

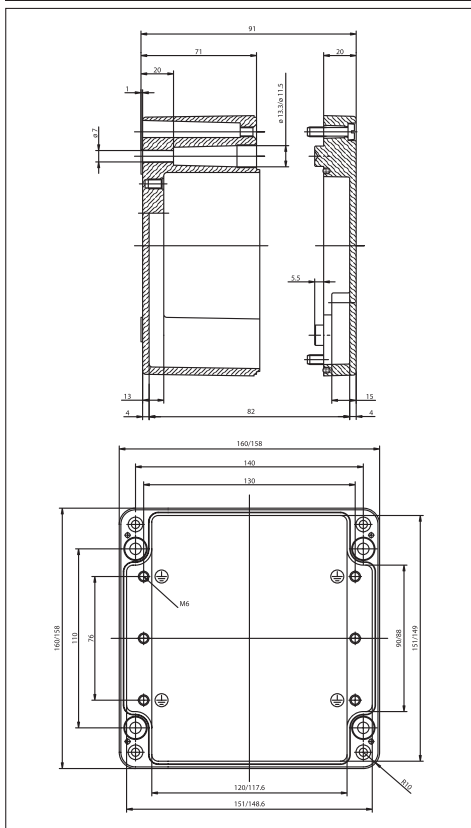
Screwed cable glands, screwed sealing plugs etc. you can find on the pages for accessories specified below!

Page 250

Page 250

CONTA-BOX housing systems

CA 160/90



160 x 160 x 90

20

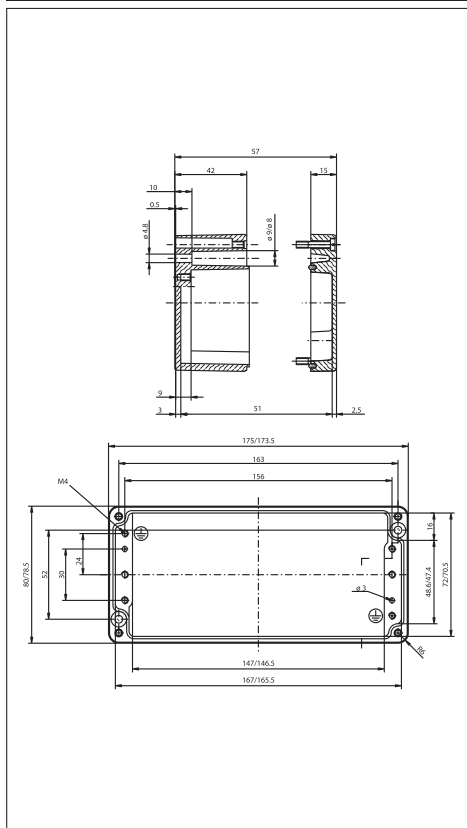
1480

grey, similar to RAL 7001

CA 160/90

4010.0/1

CA 175/57



175 x 80 x 57

15

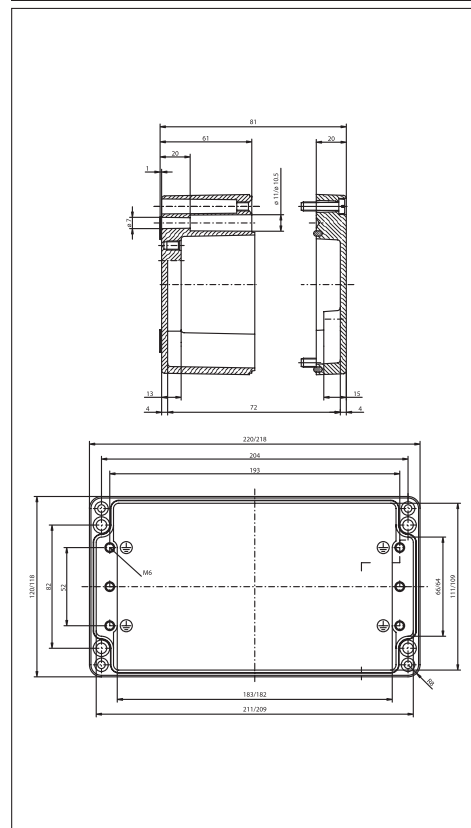
530

grey, similar to RAL 7001

CA 175/57

4006.0/1

CA 220/80



220 x 120 x 80

20

1390

grey, similar to RAL 7001

CA 220/80

4008.0/1

M	A/B	C/D	PG	A/B	C/D
M12	26	16	7	26	16
M16	12	8	9	15	11
M20	9	6	11	12	6
M25	5	3	13,5	9	6
M32	3	2	16	8	5
M40	2	1	21	5	3
M50	2		29	2	2
M63			36	2	1
			42	1	

M	A/B	C/D	PG	A/B	C/D
M12	17	5	7	17	5
M16	7	2	9	11	2
M20	6	2	11	7	2
M25	4		13,5	6	2
M32			16	5	1
M40			21	4	
M50			29		
M63			36		
			42		

M	A/B	C/D	PG	A/B	C/D
M12	34	11	7	34	11
M16	15	6	9	24	6
M20	14	4	11	15	4
M25	6	2	13,5	14	4
M32	4	1	16	11	2
M40			21	6	2
M50			29	4	1
M63			36		
			42		

TS 15/160 mm long

4507.0/1

TS 35/144 mm long

4507.4/1

BS M 6 x 8

4558.0/100

MP/A 160

4501.9/1

WL

4509.4/1

AG

4509.6/1

TS 35/160 mm long

4510.9/1

BS M 4 x 5

4557.0/100

MP/A 175

4501.3/1

TS 35/205 mm long

4507.3/1

BS M 6 x 8

4558.0/100

MP/A 220

4501.7/1

WL

4509.3/1

AG

4509.6/1

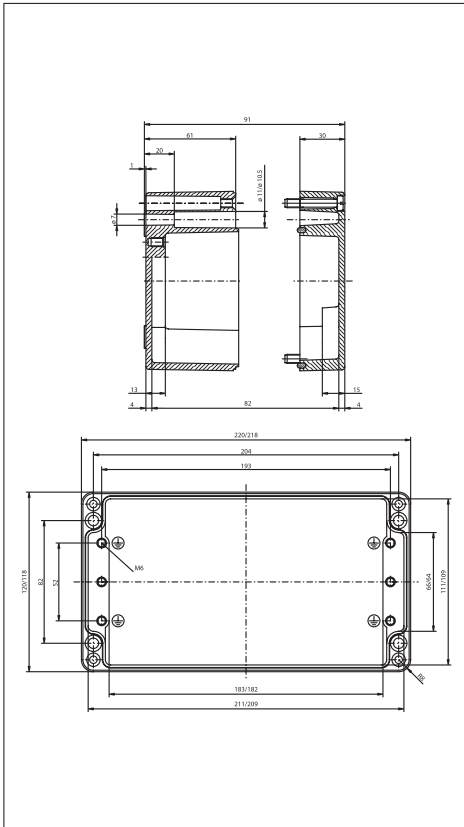
CONTA-BOX housing systems

Aluminium housings

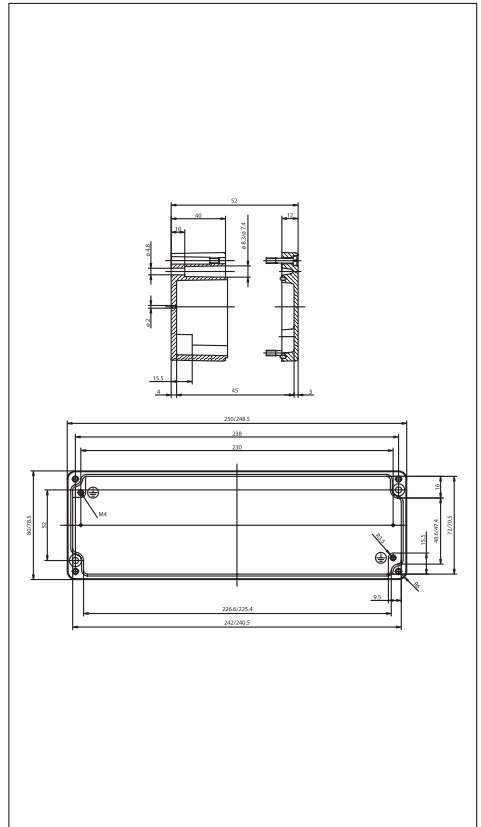
Material: AISi 12, DIN 1725
 Protection class: IP66 acc. to EN 60529
 Temperature resistance: -40° to 90° C
 Impact resistance: >7 Joule, EN 50014

Distributed by Electro-Stock, Inc.
 sales@electrostock.com
 630-682-1542 Fax 630-682-1562
 http://www.electrostock.com

CA 220/90



CA 250/52



Dimension (L x W x H) / Weight / Colour

Outside dimensions

220 x 120 x 90

250 x 80 x 52

Height of cover mm

30

12

Weight g

1410

710

Colour of housing

grey, similar to RAL 7001

grey, similar to RAL 7001

Type

Aluminium

CA 220/90

CA 250/52

Cat. no./Qty. p. pck.

4009.0/1

4014.0/1

Aluminium

Cat. no./Qty. p. pck.

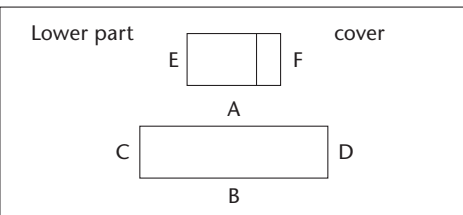
Aluminium

Cat. no./Qty. p. pck.

Aluminium

Cat. no./Qty. p. pck.

Possible threaded holes



M	A/B	C/D	PG	A/B	C/D
M12	34	11	7	34	11
M16	15	6	9	24	6
M20	14	4	11	15	4
M25	6	2	13,5	14	4
M32	4	1	16	11	2
M40			21	6	2
M50			29	4	1
M63			36		
			42		

M	A/B	C/D	PG	A/B	C/D
M12	26	6	7	26	6
M16	10	2	9	17	3
M20	9	2	11	10	2
M25	6	1	13,5	9	2
M32			16	7	1
M40			21	4	1
M50			29		
M63			36		
			42		

Accessories

Mounting rail section TS 15

Cat. no./Qty. p. pck.

Mounting rail section TS 35

Cat. no./Qty. p. pck.

Fastening screw

Cat. no./Qty. p. pck.

Mounting plate MP

Cat. no./Qty. p. pck.

Wall brackets WL

Cat. no./Qty. p. pck.

Outer joint (pair) AG

Cat. no./Qty. p. pck.

TS 35/205 mm long

4507.3/1

BS M 6 x 8

4558.0/100

MP/A 220

4501.7/1

WL

4509.3/1

AG

4509.6/1

MP/A 250

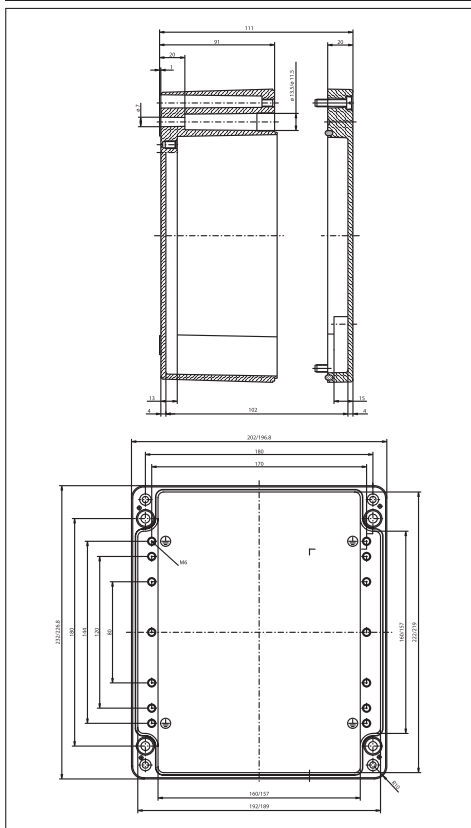
4512.4/1

Further Accessories

Screwed cable glands, screwed sealing plugs etc. you can find on the pages for accessories specified below!

CONTA-BOX housing systems

CA 200/110



200 x 230 x 110

20

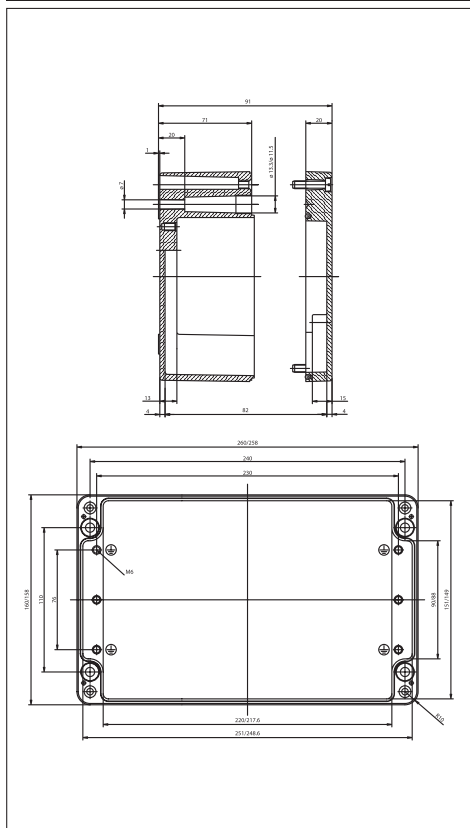
2420

grey, similar to RAL 7001

CA 200/110

4016.0/1

CA 260/90



260 x 160 x 90

20

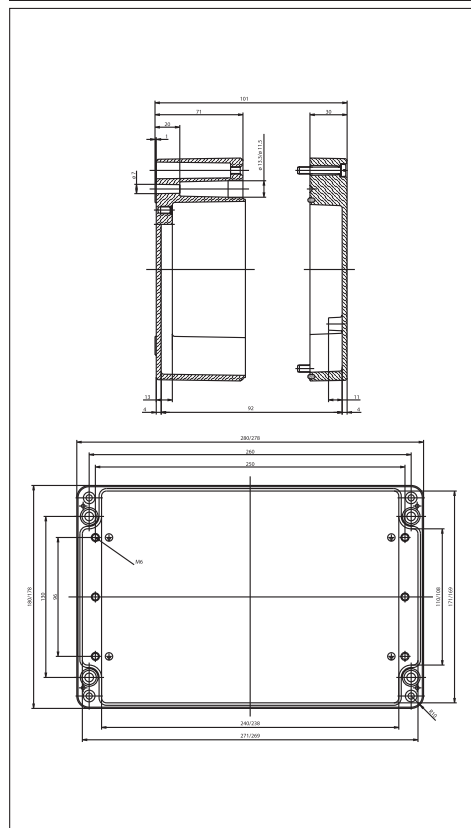
2010

grey, similar to RAL 7001

CA 260/90

4011.0/1

CA 280/100



280 x 180 x 100

30

2900

grey, similar to RAL 7001

CA 280/100

4438.0/1

M	A/B	C/D	PG	A/B	C/D
M12	45	45	7	45	45
M16	22	18	9	28	28
M20	18	17	11	20	18
M25	8	8	13,5	18	17
M32	6	5	16	15	12
M40	3	3	21	8	8
M50	2	2	29	5	4
M63	2	2	36	3	3
			42	2	2

M	A/B	C/D	PG	A/B	C/D
M12	50	16	7	50	16
M16	24	8	9	30	11
M20	17	6	11	23	6
M25	10	3	13,5	17	6
M32	5	2	16	14	5
M40	3	1	21	9	3
M50			29	5	2
M63			36	3	1
			42	3	

M	A/B	C/D	PG	A/B	C/D
M12	52	22	7	52	22
M16	26	10	9	33	15
M20	18	8	11	23	10
M25	11	4	13,5	18	8
M32	5	2	16	14	7
M40	4	2	21	10	4
M50	3		29	5	2
M63			36	4	2
			42	3	

TS 35/186 mm long

4560.1/1

BS M 6 x 8

4558.0/100

MP/A 200

4512.6/1

WL

4513.0/1

AG

4509.6/1

TS 35/245 mm long

4507.5/1

BS M 6 x 8

4558.0/100

MP/A 260

4502.1/1

WL

4509.4/1

AG

4509.6/1

TS 35/264 mm long

4570.0/1

BS M 6 x 8

4558.0/100

MP/A 280

4571.0/1

WL

4509.3/1

AG

4509.6/1

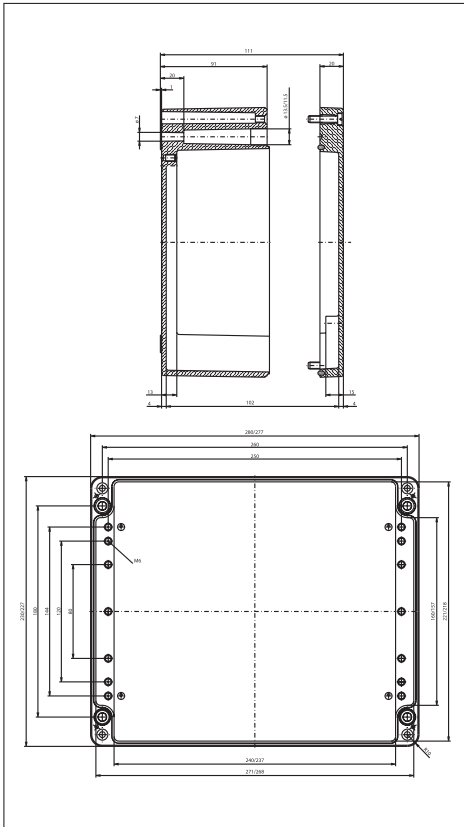
CONTA-BOX housing systems

Aluminium housings

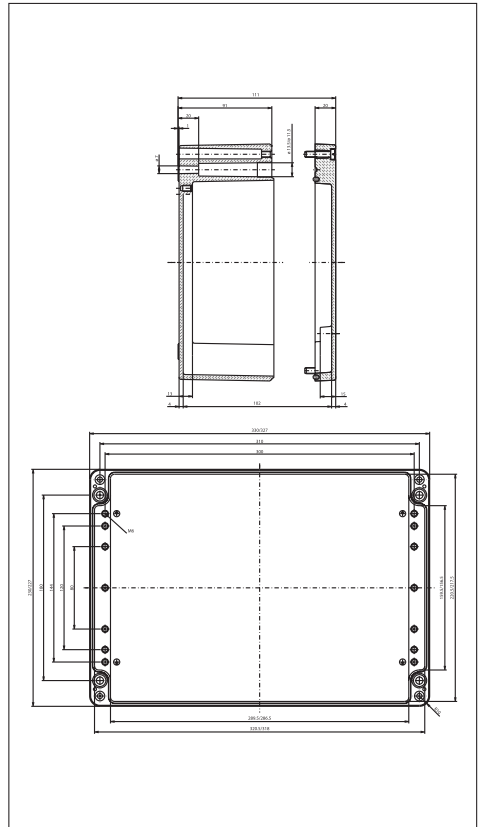
Material: AISi 12, DIN 1725
 Protection class: IP66 acc. to EN 60529
 Temperature resistance: -40° to 90° C
 Impact resistance: >7 Joule, EN 50014

Distributed by Electro-Stock, Inc.
 sales@electrostock.com
 630-682-1542 Fax 630-682-1562
 http://www.electrostock.com

CA 280/110



CA 330/110



Dimension (L x W x H) / Weight / Colour

Outside dimensions

Height of cover mm

Weight g

Colour of housing

Type

Aluminium

Cat. no./Qty. p. pck.

Aluminium

Cat. no./Qty. p. pck.

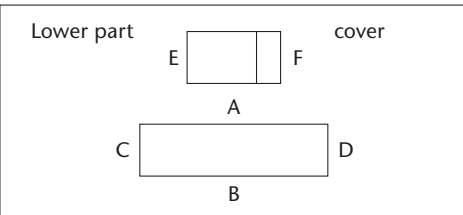
Aluminium

Cat. no./Qty. p. pck.

Aluminium

Cat. no./Qty. p. pck.

Possible threaded holes



280 x 230 x 110

20

2970

grey, similar to RAL 7001

CA 280/110

4017.0/1

330 x 230 x 110

20

3370

grey, similar to RAL 7001

CA 330/110

4018.0/1

M	A/B	C/D	PG	A/B	C/D
M12	70	45	7	68	45
M16	32	18	9	44	28
M20	24	17	11	32	18
M25	12	8	13,5	24	17
M32	9	5	16	21	12
M40	4	3	21	12	8
M50	3	2	29	9	4
M63	3	2	36	4	3
	42	3	2		

M	A/B	C/D	PG	A/B	C/D
M12	84	45	7	81	45
M16	42	18	9	52	28
M20	30	17	11	38	18
M25	15	8	13,5	30	17
M32	11	5	16	27	12
M40	5	3	21	15	8
M50	4	2	29	11	4
M63	4	2	36	5	3
	42	4	2		

Accessories

Mounting rail section TS 15

Cat. no./Qty. p. pck.

Mounting rail section TS 35

Cat. no./Qty. p. pck.

Fastening screw

Cat. no./Qty. p. pck.

Mounting plate MP

Cat. no./Qty. p. pck.

Wall brackets WL

Cat. no./Qty. p. pck.

Outer joint (pair) AG

Cat. no./Qty. p. pck.

TS 35/264 mm long

4570.0/1

BS M 6 x 8

4558.0/100

MP/A 280

4571.0/1

WL

4513.0/1

AG

4509.6/1

TS 35/314 mm long

4560.3/1

BS M 6 x 8

4558.0/100

MP/A 330

4512.8/1

WL

4513.0/1

AG

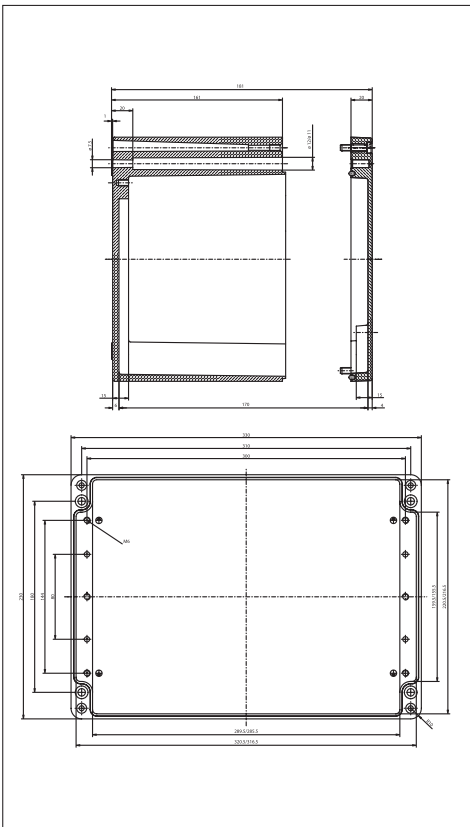
4509.6/1

Further Accessories

Screwed cable glands, screwed sealing plugs etc. you can find on the pages for accessories specified below!

CONTA-BOX housing systems

CA 330/180



330 x 230 x 180

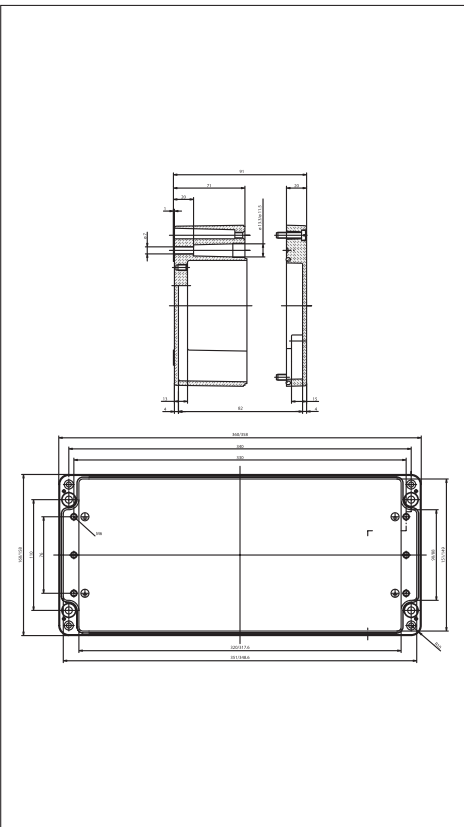
20

5240

grey, similar to RAL 7001

CA 330/180
4019.0/1

CA 360/90



360 x 160 x 90

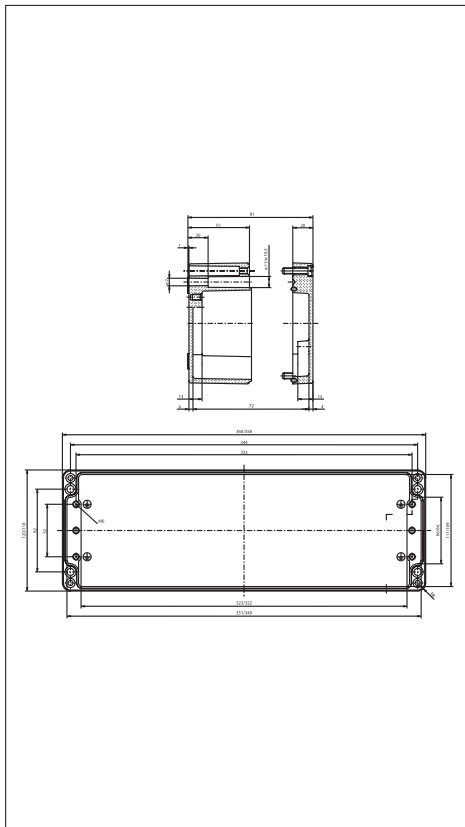
20

2520

grey, similar to RAL 7001

CA 360/90
4012.0/1

CA 360/80



360 x 120 x 80

20

1950

grey, similar to RAL 7001

CA 360/80
4015.0/1

M	A/B	C/D	PG	A/B	C/D
M12	165	81	7	144	81
M16	77	36	9	104	49
M20	60	33	11	77	36
M25	30	16	13,5	60	33
M32	18	9	16	45	25
M40	11	6	21	30	16
M50	8	5	29	18	9
M63	8	4	36	11	5
			42	8	4

M	A/B	C/D	PG	A/B	C/D
M12	72	16	7	72	16
M16	36	8	9	42	11
M20	24	6	11	33	6
M25	15	3	13,5	24	6
M32	7	2	16	20	5
M40	5	1	21	14	3
M50	4		29	7	2
M63			36	5	1
			42	4	

M	A/B	C/D	PG	A/B	C/D
M12	58	11	7	58	11
M16	26	5	9	41	6
M20	24	4	11	26	4
M25	10	2	13,5	24	3
M32	7	1	16	20	2
M40			21	10	2
M50			29	7	1
M63			36		
			42		

TS 35/314 mm long

4560.3/1

BS M 6 x 8

4558.0/100

MP/A 330

4512.8/1

WL

4513.0/1

AG

4509.6/1

TS 35/338 mm long

4507.6/1

BS M 6 x 8

4558.0/100

MP/A 360

4502.3/1

WL

4509.4/1

AG

4509.6/1

TS 35/348 mm long

4572.0/1

BS M 6 x 8

4558.0/100

MP/A 360

4502.3/1

WL

4509.3/1

AG

4509.6/1