

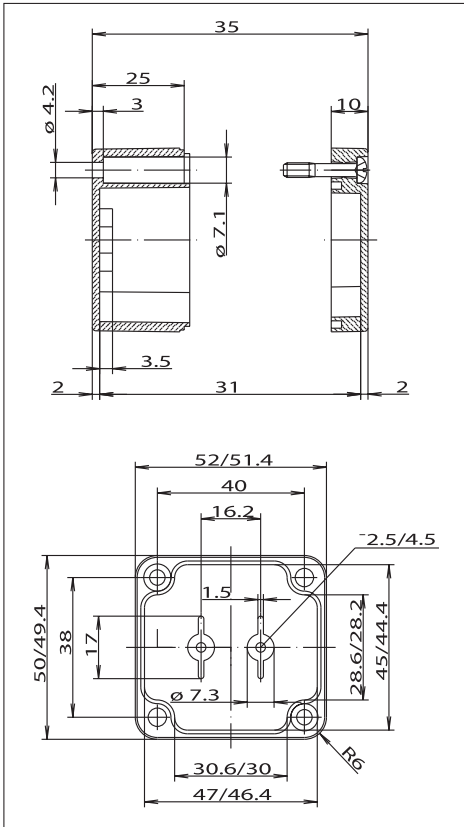
**CONTA-BOX housing systems**

**Polycarbonate/ABS housings**

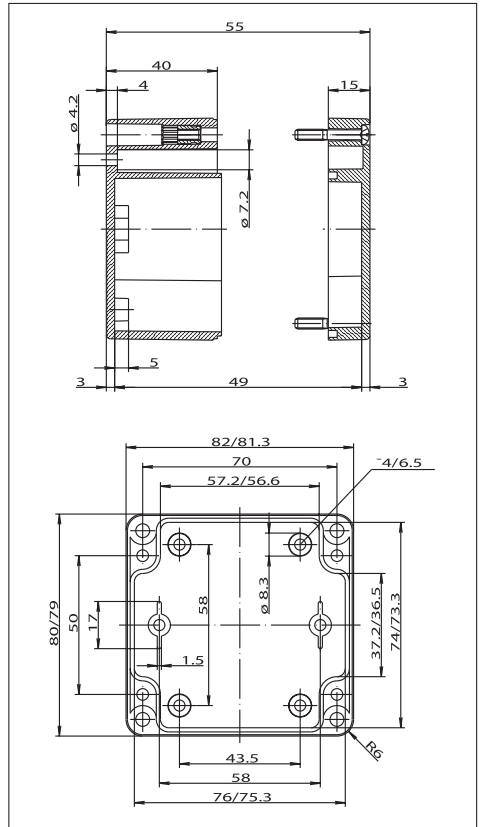
Protection class: IP66 acc. to EN 60529  
 Protective insulation: complete protective insulation  
 Burning behaviour PC: UL 94-V2  
 Burning behaviour ABS: UL 94-HB  
 Toxicity: halogen-free  
 Temperature resistance Poly.: -40° to 100° C  
 Temperature resistance ABS: -40° to 80° C

Distributed by Electro-Stock, Inc.  
 sales@electrostock.com  
 630-682-1542 Fax 630-682-1562  
 http://www.electrostock.com

**CM 52 / CT 52**



**CM 82/5 / CT 82/5**



**Dimension (L x W x H) / Weight / Colour**

Outside dimensions mm  
 Height of cover mm  
 Weight g  
 Colour of housing

52 x 50 x 35  
 10  
 40  
 light-grey, similar to RAL 7035

82 x 80 x 55  
 15  
 140  
 light-grey, similar to RAL 7035

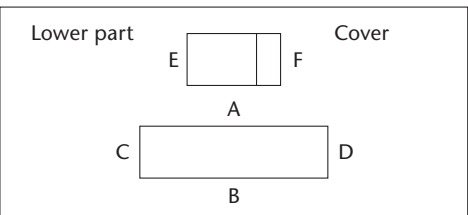
**Type**

Polycarbonate  
**Cat. no./Qty. p. pck.**  
 ABS Cover transparent  
**Cat. no./Qty. p. pck.**  
 ABS  
**Cat. no./Qty. p. pck.**  
 ABS Cover transparent  
**Cat. no./Qty. p. pck.**

CM 52  
**4040.2/1**  
 CM 52/DT  
**4060.2/1**  
 CT 52  
**4080.3/1**  
 CT 52/DT  
**4100.3/1**

CM 82/5  
**4041.2/1**  
 CM 82/5/DT  
**4061.2/1**  
 CT 82/5  
**4081.3/1**  
 CT 82/5/DT  
**4101.3/1**

**possible threaded holes**



M	A/B	C/D	PG	A/B	C/D
M12	2	1	7	2	1
M16			9	1	1
M20			11		
M25			13,5		
M32			16		
M40			21		
M50			29		
M63			36		
			42		

M	A/B	C/D	PG	A/B	C/D
M12	6	4	7	6	4
M16	2	2	9	3	2
M20	2	1	11	2	1
M25	1	1	13,5	2	1
M32			16	2	1
M40			21	1	1
M50			29		
M63			36		
			42		

**Accessories**

Mounting rail section TS 15  
**Cat. no./Qty. p. pck.**  
 Mounting plate MP  
**Cat. no./Qty. p. pck.**  
 Wall brackets WL  
**Cat. no./Qty. p. pck.**  
 Outer joint (pair) AG  
**Cat. no./Qty. p. pck.**

MP/MT 52  
**4504.6/1**  
 WL  
**4510.2/1**  
 AG  
**4510.3/1**

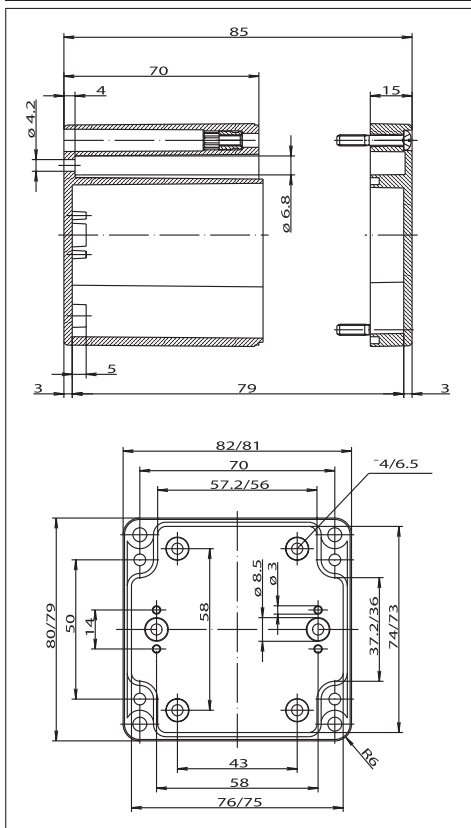
TS 15/68 mm long  
**4507.8/1**  
 MP/MT 82  
**4504.8/1**  
 WL  
**4510.2/1**  
 AG  
**4510.3/1**

**Further Accessories**

Screwed cable glands, screwed sealing plugs etc. you can find on the pages for accessories specified below!

# CONTA-BOX housing systems

## CM 82/8 / CT 82/8



82 x 80 x 85

15

175

light-grey, similar to RAL 7035

CM 82/8

**4042.2/1**

CM 82/8/DT

**4062.2/1**

CT 82/8

**4082.3/1**

CT 82/8/DT

**4102.3/1**

M	A/B	C/D	PG	A/B	C/D
M12	10	6	7	10	6
M16	5	2	9	6	3
M20	4	2	11	5	2
M25	2	1	13,5	4	2
M32	1	1	16	4	2
M40	1		21	1	1
M50			29	1	
M63			36	1	
			42		

TS 15/68 mm long

**4507.8/1**

MP/MT 82

**4504.8/1**

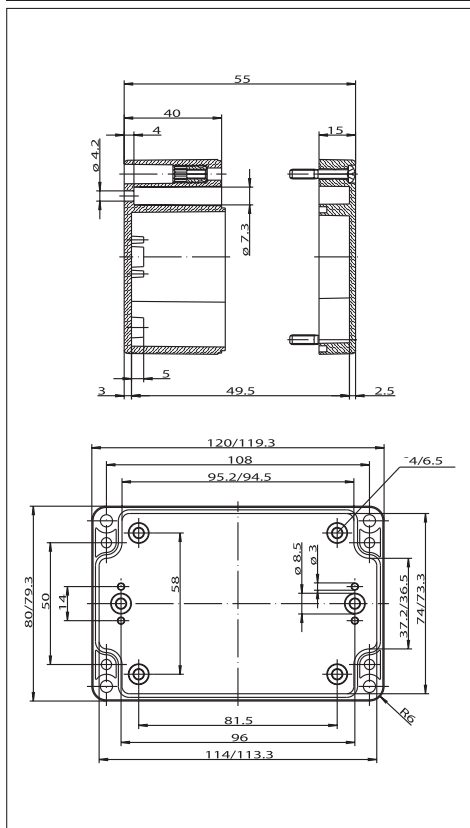
WL

**4510.2/1**

AG

**4510.3/1**

## CM 120/5 / CT 120/5



120 x 80 x 55

15

180

light-grey, similar to RAL 7035

CM 120/5

**4043.2/1**

CM 120/5/DT

**4063.2/1**

CT 120/5

**4083.3/1**

CT 120/5/DT

**4103.3/1**

M	A/B	C/D	PG	A/B	C/D
M12	10	3	7	10	3
M16	4	1	9	6	2
M20	3	1	11	4	1
M25	2		13,5	3	1
M32			16	3	1
M40			21	2	
M50			29		
M63			36	1	
			42		

TS 15/110 mm long

**4510.8/1**

MP/MT 120

**4505.0/1**

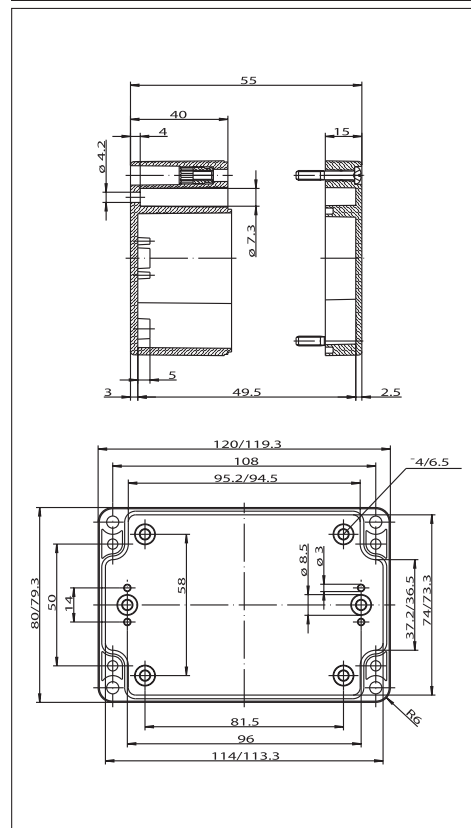
WL

**4510.2/1**

AG

**4510.3/1**

## CM 120/8 / CT 120/8



120 x 80 x 85

15

225

light-grey, similar to RAL 7035

CM 120/8

**4044.2/1**

CM 120/8/DT

**4064.2/1**

CT 120/8

**4084.3/1**

CT 120/8/DT

**4104.3/1**

M	A/B	C/D	PG	A/B	C/D
M12	16	6	7	16	6
M16	8	2	9	11	3
M20	6	2	11	8	2
M25	3	1	13,5	6	2
M32	2	1	16	6	2
M40	1		21	3	1
M50			29	2	
M63			36	1	
			42		

TS 15/110 mm long

**4510.8/1**

MP/MT 120

**4505.0/1**

WL

**4510.2/1**

AG

**4510.3/1**

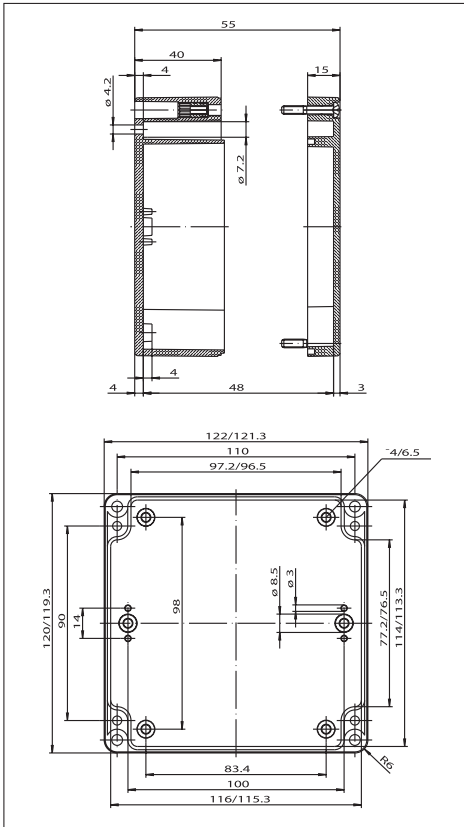
**CONTA-BOX housing systems**

**Polycarbonate/ABS housings**

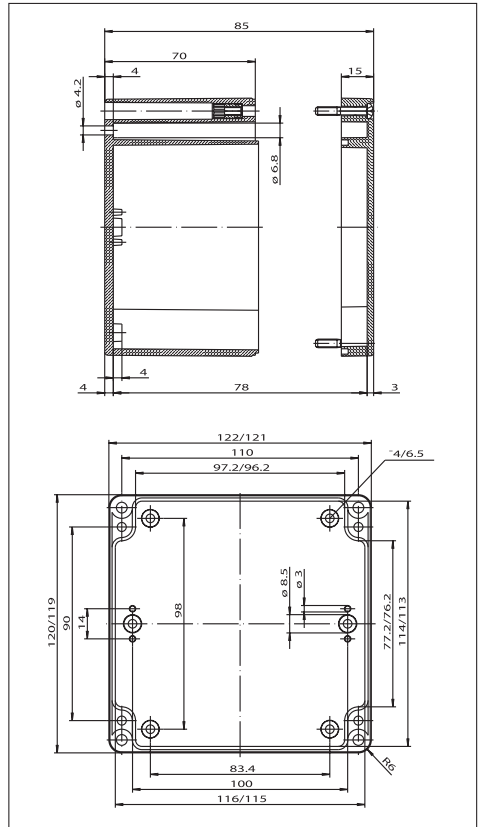
Protection class: IP66 acc. to EN 60529  
 Protective insulation: complete protective insulation  
 Burning behaviour PC: UL 94-V2  
 Burning behaviour ABS: UL 94-HB  
 Toxicity: halogen-free  
 Temperature resistance Poly.: -40° to 100° C  
 Temperature resistance ABS: -40° to 80° C

Distributed by Electro-Stock, Inc.  
 sales@electrostock.com  
 630-682-1542 Fax 630-682-1562  
 http://www.electrostock.com

**CM 122/5 / CT 122/5**



**CM 122/8 / CT 122/8**



**Dimension (L x W x H) / Weight / Colour**

Outside dimensions mm  
 Height of cover mm  
 Weight g  
 Colour of housing

122 x 120 x 55  
 15  
 240  
 grey, similar to RAL 7035

122 x 120 x 85  
 15  
 300  
 grey, similar to RAL 7035

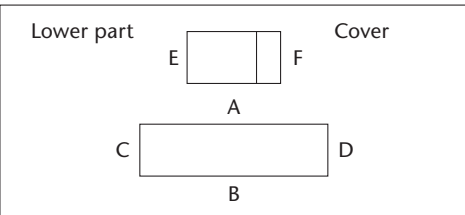
**Type**

Polycarbonate  
**Cat. no./Qty. p. pck.**  
 Polycarbonate cover transparent  
**Cat. no./Qty. p. pck.**  
 ABS  
**Cat. no./Qty. p. pck.**  
 ABS Cover transparent  
**Cat. no./Qty. p. pck.**

CM 122/5  
**4047.2/1**  
 CM 122/5/DT  
**4067.2/1**  
 CT 122/5  
**4087.3/1**  
 CT 122/5/DT  
**4107.3/1**

CM 122/8  
**4048.2/1**  
 CM 122/8/DT  
**4068.2/1**  
 CT 122/8  
**4088.3/1**  
 CT 122/8/DT  
**4108.3/1**

**possible threaded holes**



M	A/B	C/D	PG	A/B	C/D
M12	11	8	7	11	8
M16	4	3	9	6	4
M20	4	3	11	4	3
M25	2	2	13,5	4	3
M32			16	3	2
M40			21	2	2
M50			29		
M63			36		
			42		

M	A/B	C/D	PG	A/B	C/D
M12	20	14	7	20	14
M16	9	6	9	12	9
M20	6	5	11	9	6
M25	4	2	13,5	6	5
M32	2	1	16	6	4
M40	1	1	21	3	2
M50	1		29	2	1
M63			36	1	1
			42	1	

**Accessories**

Mounting rail section TS 15  
**Cat. no./Qty. p. pck.**  
 Mounting rail section TS 35  
**Cat. no./Qty. p. pck.**  
 Mounting plate MP  
**Cat. no./Qty. p. pck.**  
 Wall brackets WL  
**Cat. no./Qty. p. pck.**  
 Outer joint (pair) AG  
**Cat. no./Qty. p. pck.**

TS 15/110 mm long  
**4510.8/1**  
 TS 35/110 mm long  
**4508.8/1**  
 MP/MT 122  
**4505.4/1**  
 WL  
**4510.2/1**  
 AG  
**4510.3/1**

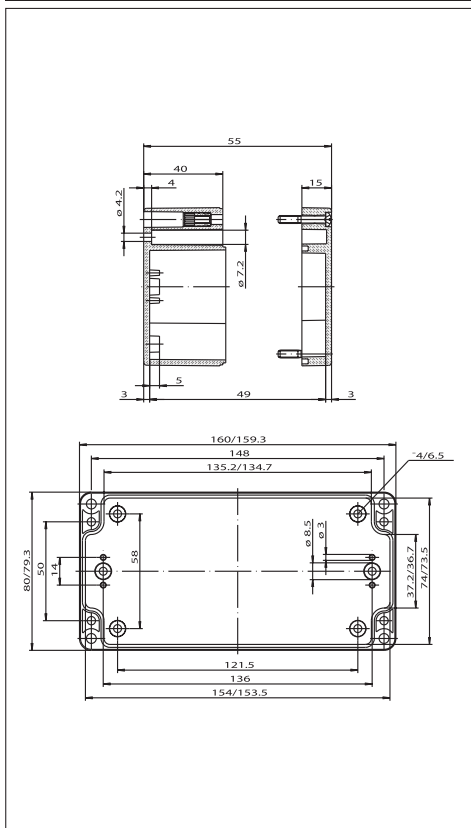
TS 15/110 mm long  
**4510.8/1**  
 TS 35/110 mm long  
**4508.8/1**  
 MP/MT 122  
**4505.4/1**  
 WL  
**4510.2/1**  
 AG  
**4510.3/1**

**Further Accessories**

Screwed cable glands, screwed sealing plugs etc. you can find on the pages for accessories specified below!

# CONTA-BOX housing systems

## CM 160/5 / CT 160/5



160 x 80 x 55

15

235

grey, similar to RAL 7035

CM 160/5

**4045.2/1**

CM 160/5/DT

**4065.2/1**

CT 160/5

**4085.3/1**

CT 160/5/DT

**4105.3/1**

M	A/B	C/D	PG	A/B	C/D
M12	16	4	7	14	4
M16	6	2	9	8	2
M20	5	1	11	6	1
M25	3	1	13,5	5	1
M32			16	4	1
M40			21	3	
M50			29		
M63			36		
			42		

TS 15/150 mm long

**4508.7/1**

MP/MT 160

**4502.2/1**

WL

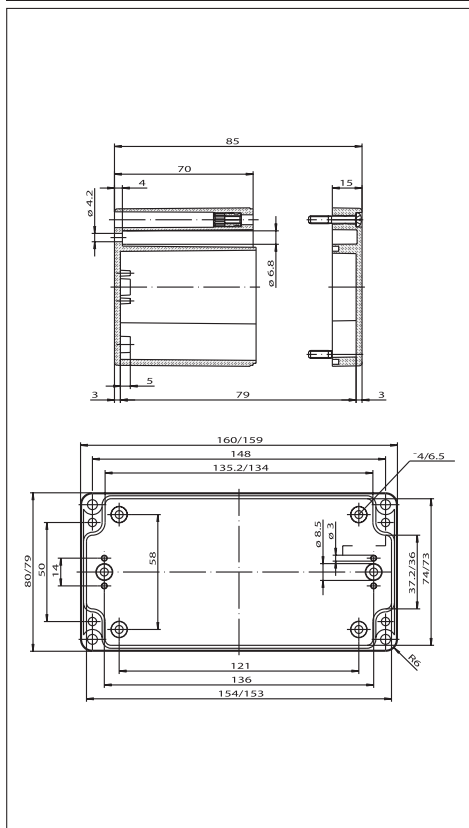
**4510.2/1**

AG

**4510.3/1**

Page 250

## CM 160/8 / CT 160/8



160 x 80 x 85

15

295

grey, similar to RAL 7035

CM 160/8

**4046.2/1**

CM 160/8/DT

**4066.2/1**

CT 160/8

**4086.3/1**

CT 160/8/DT

**4106.3/1**

M	A/B	C/D	PG	A/B	C/D
M12	28	6	7	28	6
M16	14	3	9	18	4
M20	9	2	11	12	2
M25	5	1	13,5	9	2
M32	3	1	16	8	2
M40	2		21	5	1
M50	2		29	3	
M63			36	2	
			42	2	

TS 15/150 mm long

**4508.7/1**

MP/MT 160

**4505.2/1**

WL

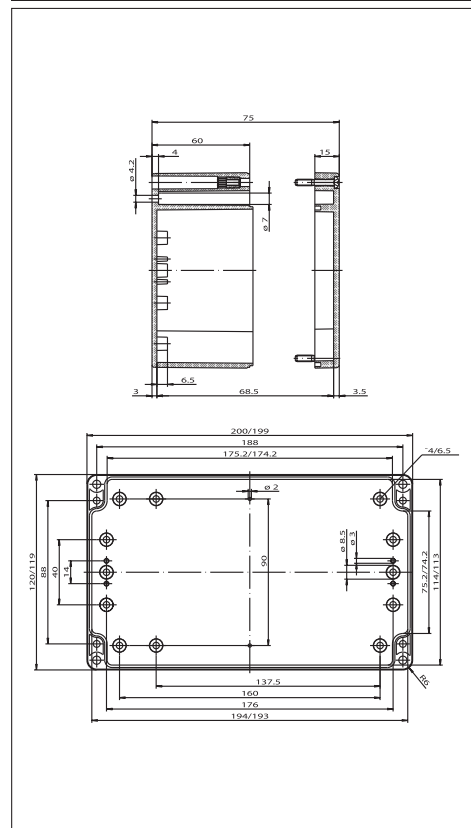
**4510.2/1**

AG

**4510.3/1**

Page 250

## CM 200/12 / CT 200/12



200 x 120 x 75

15

400

grey, similar to RAL 7035

CM 200/12

**4049.2/1**

CM 200/12/DT

**4069.2/1**

CT 200/12

**4089.3/1**

CT 200/12/DT

**4109.3/1**

M	A/B	C/D	PG	A/B	C/D
M12	30	15	7	30	15
M16	14	6	9	20	9
M20	12	6	11	12	6
M25	5	3	13,5	12	6
M32	3	2	16	10	4
M40			21	5	2
M50			29	3	2
M63			36		
			42		

TS 15/190 mm long

**4508.9/1**

TS 35/190 mm long

**4509.0/1**

MP/MT 200/12

**4505.6/1**

WL

**4510.2/1**

AG

**4510.3/1**

Page 250

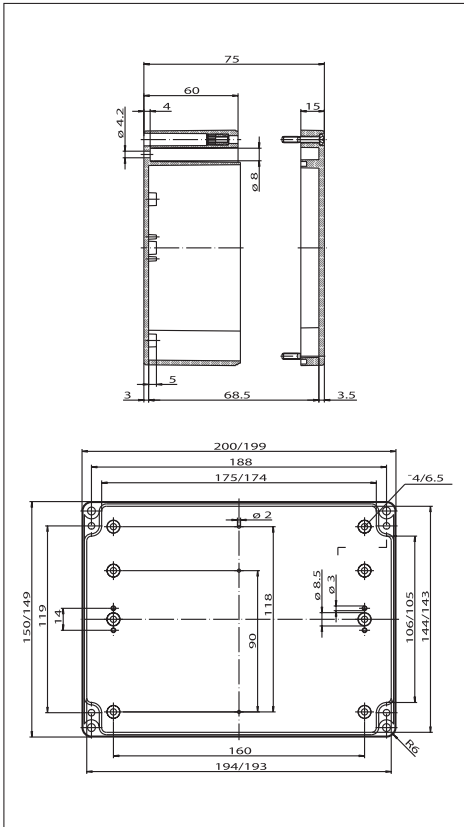
**CONTA-BOX housing systems**

**Polycarbonate/ABS housings**

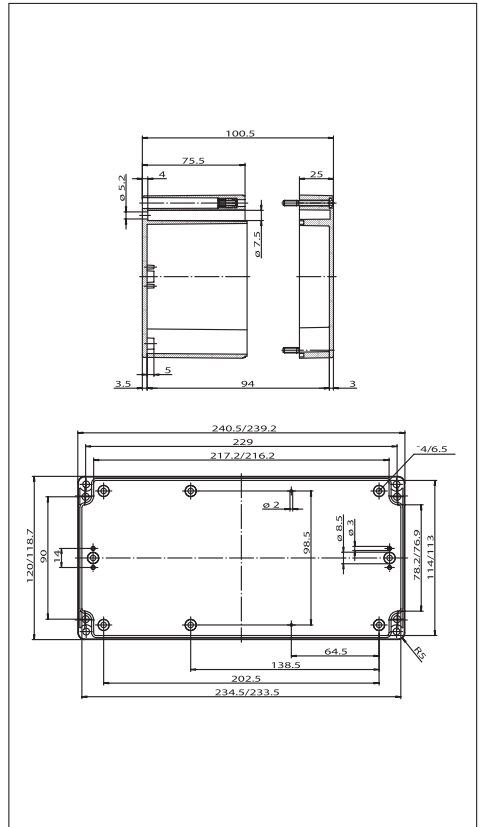
Protection class: IP66 acc. to EN 60529  
 Protective insulation: complete protective insulation  
 Burning behaviour PC: UL 94-V2  
 Burning behaviour ABS: UL 94-HB  
 Toxicity: halogen-free  
 Temperature resistance Polycarbonate: -40° to 100° C  
 Temperature resistance ABS: -40° to 80° C

Distributed by Electro-Stock, Inc.  
 sales@electrostock.com  
 630-682-1542 Fax 630-682-1562  
 http://www.electrostock.com

**CM 200/15 / CT 200/15**



**CM 240 / CT 240**



**Dimension (L x W x H) / Weight / Colour**

Outside dimensions  
 Height of cover mm  
 Weight g  
 Colour of housing

200 x 150 x 75  
 15  
 525  
 grey, similar to RAL 7035

240 x 120 x 100  
 25  
 520  
 grey, similar to RAL 7035

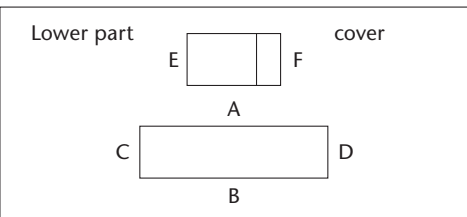
**Type**

Polycarbonate  
**Cat. no./Qty. p. pck.**  
 Polycarbonate cover transparent  
**Cat. no./Qty. p. pck.**  
 ABS  
**Cat. no./Qty. p. pck.**  
 ABS cover transparent  
**Cat. no./Qty. p. pck.**

CM 200/15  
**4050.2/1**  
 CM 200/15/DT  
**4070.2/1**  
 CT 200/15  
**4090.3/1**  
 CT 200/15/DT  
**4110.3/1**

CM 240  
**4051.2/1**  
 CM 240/DT  
**4071.2/1**  
 CT 240  
**4091.3/1**  
 CT 240/DT  
**4111.3/1**

**Possible threaded holes**



M	A/B	C/D	PG	A/B	C/D
M12	30	17	7	30	17
M16	14	8	9	20	9
M20	12	6	11	14	8
M25	5	3	13,5	12	6
M32	3	2	16	10	4
M40			21	5	3
M50			29	3	2
M63			36		
			42		

M	A/B	C/D	PG	A/B	C/D
M12	48	16	7	48	16
M16	24	8	9	30	9
M20	17	5	11	21	6
M25	10	3	13,5	17	5
M32	5	1	16	14	5
M40	3	1	21	9	3
M50	3	1	29	5	11
M63			36	3	1
			42	3	1

**Accessories**

Mounting rail section TS 15  
**Cat. no./Qty. p. pck.**  
 Mounting rail section TS 35  
**Cat. no./Qty. p. pck.**  
 Mounting plate MP  
**Cat. no./Qty. p. pck.**  
 Wall brackets WL  
**Cat. no./Qty. p. pck.**  
 Outer joint (pair) AG  
**Cat. no./Qty. p. pck.**

TS 35/190 mm long  
**4509.0/1**  
 MP/MT 200/15  
**4505.8/1**  
 WL  
**4510.2/1**  
 AG  
**4510.3/1**

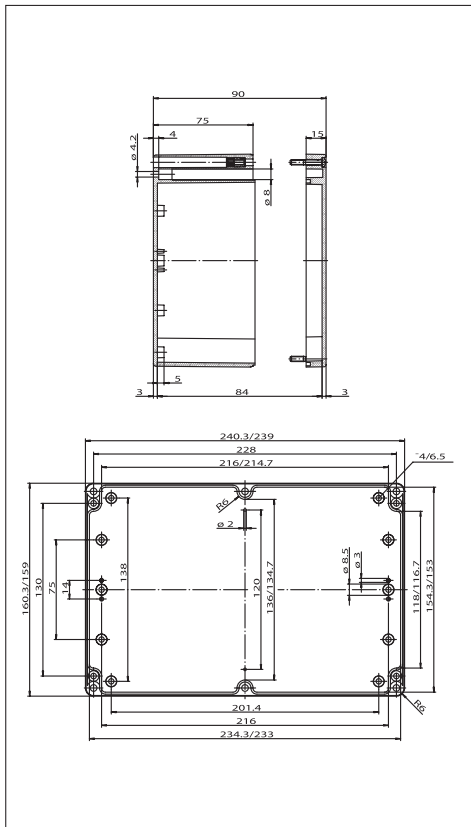
TS 35/230 mm long  
**4509.1/1**  
 MP/MT 240  
**4506.0/1**  
 WL  
**4510.2/1**  
 AG  
**4510.3/1**

**Further Accessories**

Screwed cable glands, screwed sealing plugs etc. you can find on the pages for accessories specified below!

# CONTA-BOX housing systems

## CM 240/9 / CT 240/9



240 x 160 x 90

15

650

grey, similar to RAL 7035

CM 240/9

**4052.2/1**

CM 240/9/DT

**4072.2/1**

CT 240/9

**4092.3/1**

CT 240/9/DT

**4112.3/1**

M	A/B	C/D	PG	A/B	C/D
M12	40	26	7	40	26
M16	18	11	9	24	15
M20	12	8	11	16	11
M25	8	4	13,5	12	8
M32	4	2	16	12	8
M40	2	2	21	6	4
M50	2	1	29	4	2
M63			36	2	2
			42	2	1

TS 35/230 mm long

**4509.1/1**

MP/MT 240

**4506.2/1**

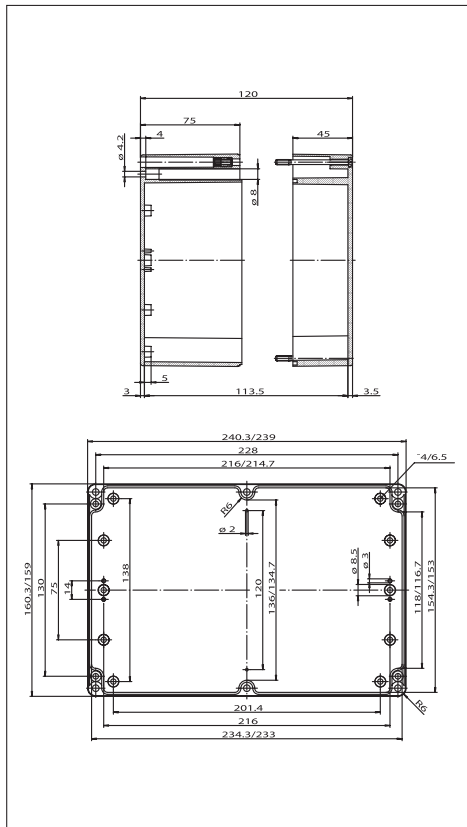
WL

**4510.2/1**

AG

**4510.3/1**

## CM 240/12 / CT 240/12



240 x 160 x 120

45

795

grey, similar to RAL 7035

CM 240/12

**4053.2/1**

CM 240/12/DT

**4073.2/1**

CT 240/12

**4093.3/1**

CT 240/12/DT

**4113.3/1**

M	A/B	C/D	PG	A/B	C/D
M12	40	26	7	40	26
M16	22	12	9	24	15
M20	16	9	11	18	12
M25	8	5	13,5	16	9
M32	4	3	16	12	8
M40	2	2	21	8	5
M50	2	1	29	4	2
M63			36	2	2
			42	2	1

TS 35/230 mm long

**4509.1/1**

MP/M-T/250

**4506.2/1**

WL

**4510.2/1**

AG

**4510.3/1**

Distributed by Electro-Stock, Inc.  
 sales@electrostock.com  
 630-682-1542 Fax 630-682-1562  
 http://www.electrostock.com