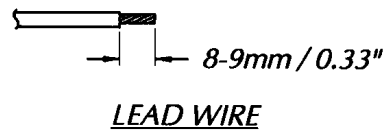
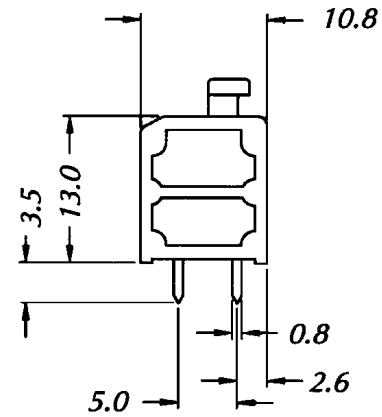
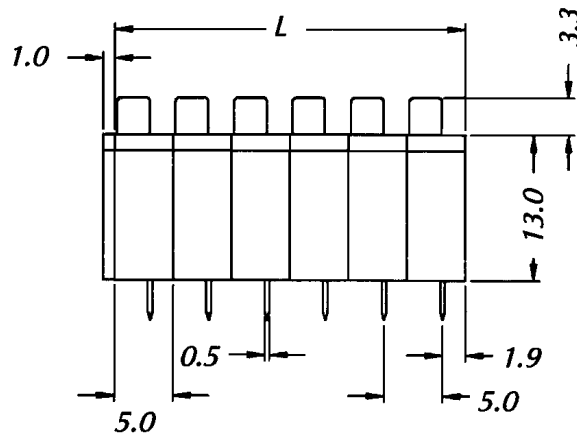
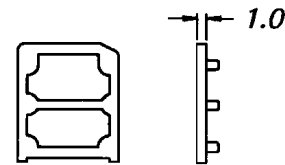


Distributed by: Electro-Stock, Inc. sales@electrostock.com

http://www.electrostock.com 630-682-1542 Fax: 630-682-1562



LEAD WIRE



END CLOSER

Specifications and Materials

Wire Pull Out Force: (16 Awg)	9.5kg
Section Pull Apart Force:	3.0kg
Rating:	10A @ 300 V
Wire Range:	20 to 16 AWG
Temperature Range:	-40C - +120
Materials (1): Molded Parts	Polyamide 6/6 (UL94V-O)
Materials (2): Insert	Brass - Nickel Plated
Materials (3): Terminal	Brass - Tin Plated



All dimensions are in MM unless otherwise specified

Drawing Number:

619-3-xx

Date: 3/26/2002

Title:

619 Series