

Distributed by: Electro-Stock, Inc. sales@electrostock.com  
http://www.electrostock.com 630-682-1542 Fax: 630-682-1562

### SERIES 303 SNAP SIP BREAKABLE INSULATOR

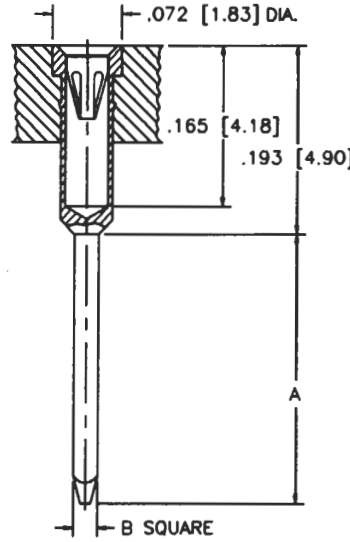
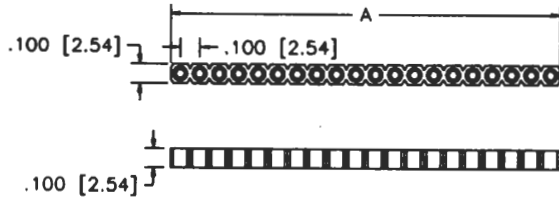


FIG. C

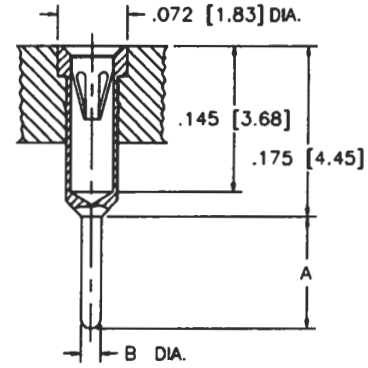


FIG. D

PIN	DIM "A"	
2	.200 [5.08]	002
3	.300 [7.62]	003
4	.400 [10.16]	004
5	.500 [12.70]	005
6	.600 [15.24]	006
7	.700 [17.78]	007
8	.800 [20.32]	008
9	.900 [22.86]	009
10	1.000 [25.40]	010
11	1.100 [27.94]	011
12	1.200 [30.48]	012
13	1.300 [33.02]	013
14	1.400 [35.56]	014
15	1.500 [38.10]	015
16	1.600 [40.64]	016

PIN	DIM "A"	
17	1.700 [43.18]	017
18	1.800 [45.72]	018
19	1.900 [48.26]	019
20	2.000 [50.80]	020
21	2.100 [53.34]	021
22	2.200 [55.88]	022
23	2.300 [58.42]	023
24	2.400 [60.96]	024
25	2.500 [63.50]	025
26	2.600 [66.04]	026
27	2.700 [68.58]	027
28	2.800 [71.12]	028
29	2.900 [73.66]	029
30	3.000 [76.20]	030
31	3.100 [78.74]	031
32	3.200 [81.28]	032

TERMINAL CHART			
TERMINAL	FIG	DIM "A"	DIM "B"
-01	D	.115 [2.92]	.020 [0.51]
-02	C	.370 [9.40]	.025 [0.64]
-03	C	.510 [12.95]	.025 [0.64]
-08	D	.170 [4.31]	.020 [0.51]
-09	D	.280 [7.11]	.020 [0.51]
-11	D	.135 [3.43]	.020 [0.51]
-94	D	.125 [3.17]	.018 [0.46]

### CONTACT TYPE

<b>S: STANDARD DIP</b>	INSERTION FORCE	9.0 oz. AVG.
	WITHDRAWAL FORCE	2.0 oz. MIN.
<b>M: STANDARD PGA</b>	INSERTION FORCE	1.8 oz. MAX.
	WITHDRAWAL FORCE	0.5 oz. MIN.
<b>L: INTERSTITIAL PGA</b>	INSERTION FORCE	1.0 oz. MAX.
	WITHDRAWAL FORCE	0.3 oz. MIN.
<b>H: HIGH FORCE</b>	INSERTION FORCE	18.3 oz. MAX.
	WITHDRAWAL FORCE	4.2 oz. MIN.

### TECHNICAL SPECIFICATIONS

<b>MATERIAL</b>		
INSULATOR	GLASS FILLED POLYESTER	
	UL 94V-0 LISTED	
TERMINAL CONTACT	BRASS PER ASTM-B16	
	BeCu PER ASTM-B194	
OPERATING TEMP.	-65°C TO +125°C	
<b>CONTACT FORCES</b>		
INSERTION	STANDARD	9 oz. AVG.
WITHDRAWAL	STANDARD	2 oz. MIN.

### ORDERING INFORMATION

