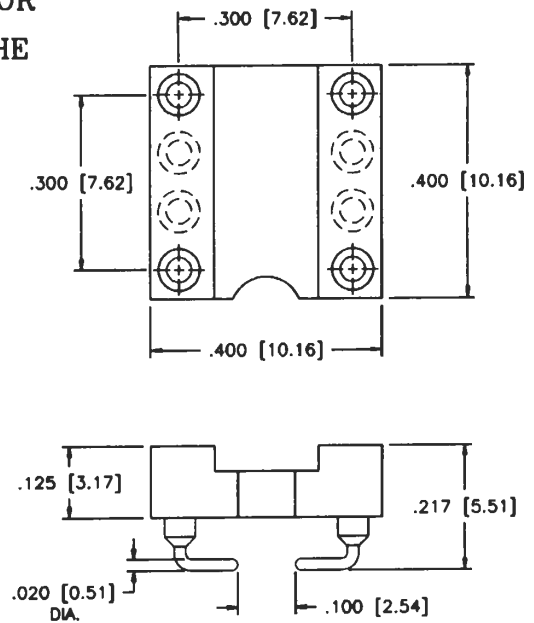
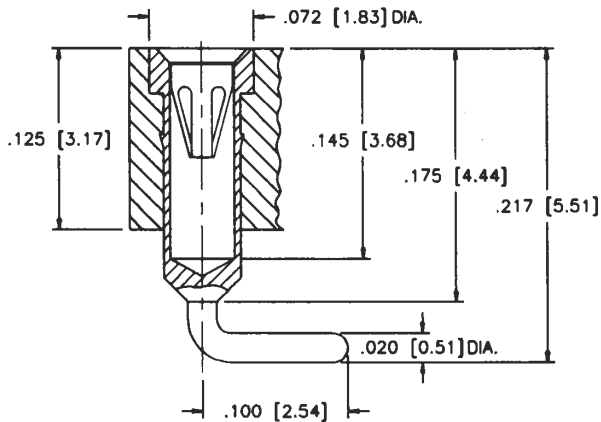


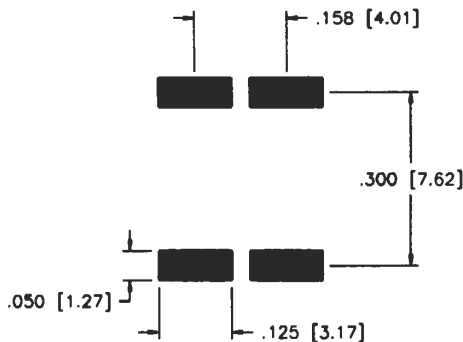
Distributed by: Electro-Stock, Inc. sales@electrostock.com
http://www.electrostock.com 630-682-1542 Fax: 630-682-1562

REPLACEMENT SOCKET FOR SMD OSCILLATOR
TO REPLACE WITH LEADED DEVICES ON THE
SAME FOOTPRINT

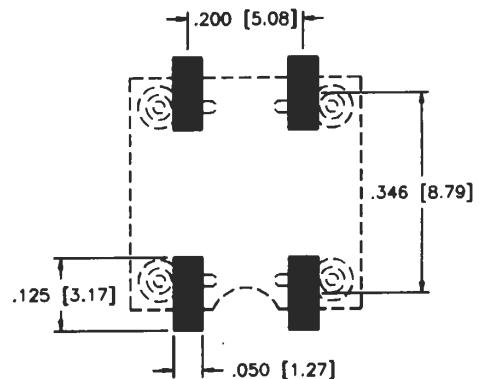


4 PIN
REPLACEMENT SOCKET

STANDARD P.C.B. FOOTPRINT



REPLACEMENT P.C.B. FOOTPRINT



TECHNICAL SPECIFICATIONS

MATERIAL
INSULATOR HIGH TEMP. GREY NYLON 46
UL 94V-0 LISTED

TERMINAL CONTACT
BRASS PER ASTM-B16
BeCu PER ASTM-B194

OPERATING TEMP. -65° TO 150°

CONTACT FORCES

INSERTION STANDARD 9 oz. AVG.
WITHDRAWAL STANDARD 2 oz. MIN.

ORDERING INFORMATION

221-084-232S-PXX-Y10

SERIES ————
WAFFER SIZE ————
NUMBER OF PINS LOADED ————
TERMINAL ASSEMBLY ————

PLATING: TERMINAL / CONTACT
P30: GOLD / GOLD
P31: TIN-LEAD / GOLD
P32: TIN-LEAD / TIN
OTHER PLATINGS AVAILABLE
SEE OPTIONAL PLATINGS