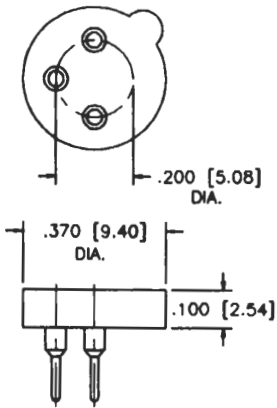
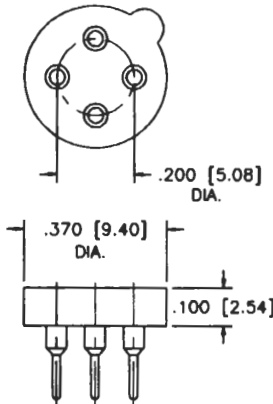


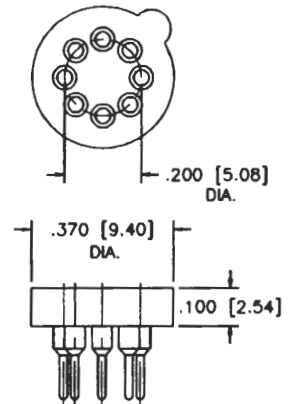
Distributed by: Electro-Stock, Inc. sales@electrostock.com
 http://www.electrostock.com 630-682-1542 Fax: 630-682-1562



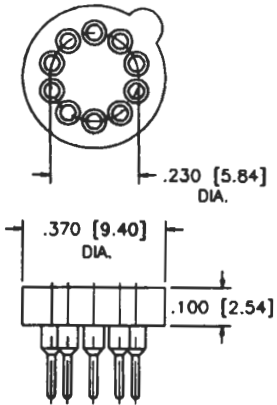
3 PIN



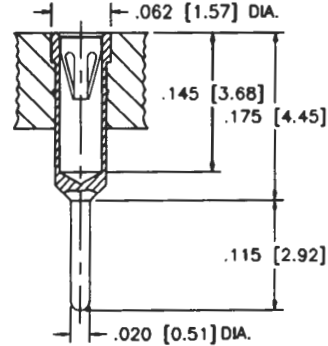
4 PIN



8 PIN



10 PIN



-75

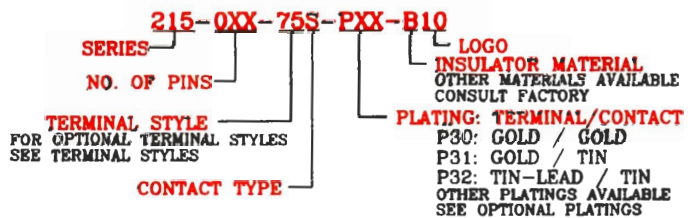
CONTACT TYPE

S: STANDARD DIP	INSERTION FORCE	9.0 oz. AVG.
	WITHDRAWAL FORCE	2.0 oz. MIN.
M: STANDARD PGA	INSERTION FORCE	1.8 oz. MAX.
	WITHDRAWAL FORCE	0.5 oz. MIN.
L: INTERSTITIAL PGA	INSERTION FORCE	1.0 oz. MAX.
	WITHDRAWAL FORCE	0.3 oz. MIN.
H: HIGH FORCE	INSERTION FORCE	18.3 oz. MAX.
	WITHDRAWAL FORCE	4.2 oz. MIN.

TECHNICAL SPECIFICATIONS

MATERIAL INSULATOR	GLASS FILLED POLYESTER UL 94V-0 LISTED
TERMINAL CONTACT	BRASS PER ASTM-B16 BeCu PER ASTM-B194
OPERATING TEMP.	-65°C TO +125°C
CONTACT FORCES	
INSERTION	STANDARD 9 oz. AVG.
WITHDRAWAL	STANDARD 2 oz. MIN.

ORDERING INFORMATION



© ANDON 1997 DIMENSIONS ARE SHOWN IN INCHES [MILLIMETERS]. WE RESERVE THE RIGHT TO CHANGE SPECIFICATIONS WITHOUT NOTICE.