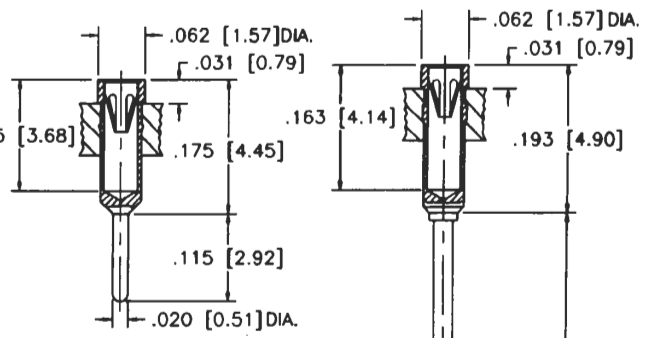
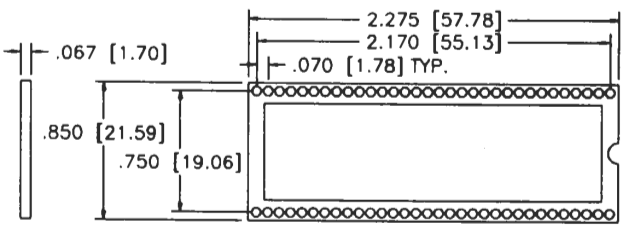


SERIES 107 SHRINK DIP (OPEN FRAME) 207 SHRINK DIP (SOLID FRAME) 403 SHRINK DIP (LAMINATE WAFER)

Distributed by: Electro-Stock, Inc. sales@electrostock.com
 http://www.electrostock.com 630-682-1542 Fax: 630-682-1562

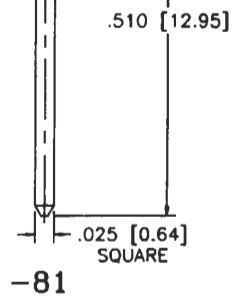
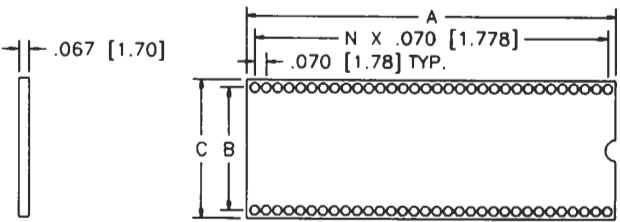
SERIES 107 DIL



-75

SERIES 207 DIL

PIN	A	B	C
28	1.010 [25.65]	.600 [15.24]	.700 [17.78]
40	1.430 [36.32]	.600 [15.24]	.700 [17.78]
64	2.270 [57.66]	.750 [19.05]	.850 [21.59]

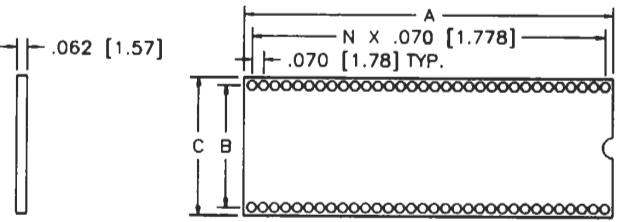


-81

SERIES 403 DIL

PIN	A	B	C
28	1.010 [25.65]	.600 [15.24]	.700 [17.78]
40	1.430 [36.32]	.600 [15.24]	.700 [17.78]
64	2.270 [57.66]	.750 [19.05]	.850 [21.59]

NOTE: OTHER SOCKET SIZES AVAILABLE



CONTACT TYPE

S: STANDARD DIP	INSERTION FORCE	9.0 oz. AVG.
	WITHDRAWAL FORCE	2.0 oz. MIN.
M: STANDARD PGA	INSERTION FORCE	1.8 oz. MAX.
	WITHDRAWAL FORCE	0.5 oz. MIN.
L: INTERSTITIAL PGA	INSERTION FORCE	1.0 oz. MAX.
	WITHDRAWAL FORCE	0.3 oz. MIN.
H: HIGH FORCE	INSERTION FORCE	18.3 oz. MAX.
	WITHDRAWAL FORCE	4.2 oz. MIN.

TECHNICAL SPECIFICATIONS

MATERIAL INSULATOR GLASS FILLED POLYESTER
 UL 94V-0 LISTED

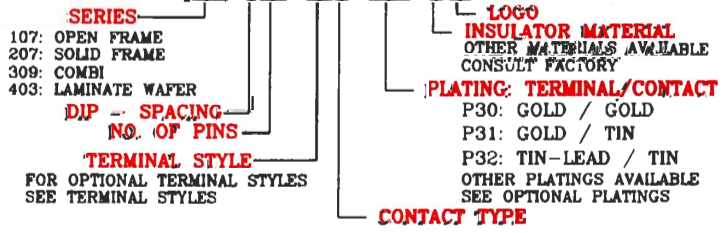
TERMINAL CONTACT BRASS PER ASTM-B16
 BeCu PER ASTM-B194

OPERATING TEMP. -65°C TO +125°C

CONTACT FORCES
 INSERTION STANDARD 9 oz. AVG.
 WITHDRAWAL STANDARD 2 oz. MIN.

ORDERING INFORMATION

107-XXX-XXX-PXX-B10
207-XXX-XXX-PXX-B10
309-XXX-XXX-PXX-B10
403-XXX-XXX-PXX-N10



SERIES 403: INSULATOR: GLASS-EPOXY FR-4 UL 94V-0 HIGH TEMPERATURE OPERATION