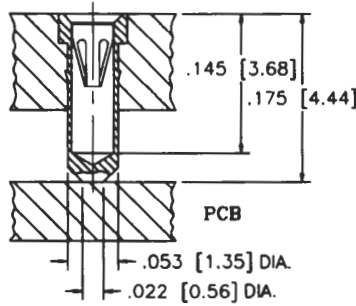


SERIES 106 OPEN FRAME WAFER CHART			
	PIN	DIM "A"	
FIG. 1	6	.300 [7.62]	306
	8	.400 [10.16]	308
	10	.500 [12.70]	310
FIG. 2	14	.700 [17.78]	314
	16	.800 [20.32]	316
	18	.900 [22.86]	318
	20	1.000 [25.40]	320
	22	1.100 [27.94]	322
	24	1.200 [30.48]	324
FIG. 3	28	1.400 [35.56]	328
	16	.800 [20.32]	416
	22	1.100 [27.94]	422
	24	1.200 [30.48]	424
FIG. 4	24	1.200 [30.48]	624
	28	1.400 [35.56]	628
FIG. 5	30	1.500 [38.10]	630
	32	1.600 [40.64]	632
	36	1.800 [45.72]	636
	40	2.000 [50.80]	640
	48	2.400 [60.96]	648
FIG. 6	50	2.500 [63.50]	950
	52	2.600 [66.04]	952
	64	3.200 [81.28]	964

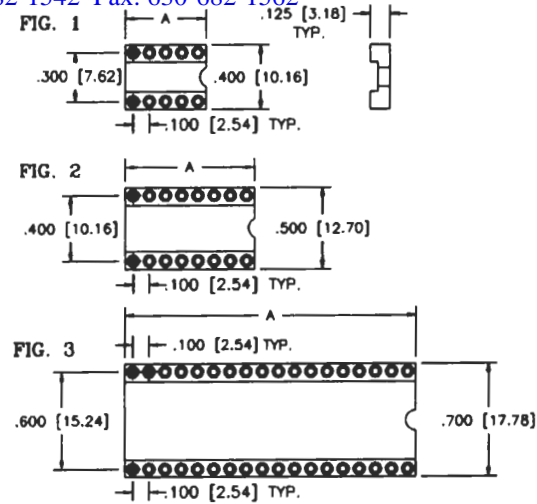
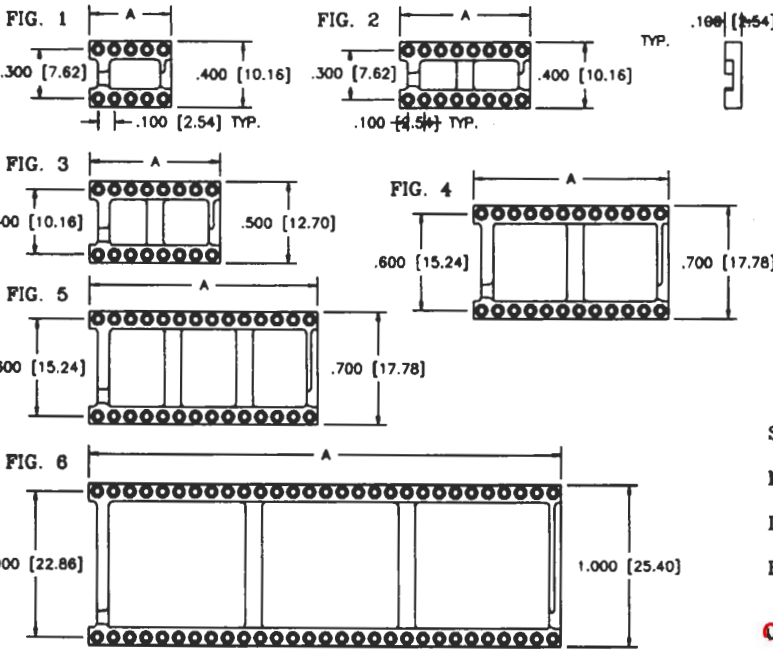
SERIES 206 SOLID FRAME WAFER CHART			
	PIN	DIM "A"	
FIG. 1	6	.300 [7.62]	306
	8	.400 [10.16]	308
	10	.500 [12.70]	310
	14	.700 [17.78]	314
	16	.800 [20.32]	316
	18	.900 [22.86]	318
	20	1.000 [25.40]	320
	24	1.200 [30.48]	324
FIG. 2	16	.800 [20.32]	416
	22	1.100 [27.94]	422
FIG. 3	24	1.200 [30.48]	624
	28	1.400 [35.56]	628
FIG. 3	30	1.500 [38.10]	630
	32	1.600 [40.64]	632
	36	1.800 [45.72]	636
	40	2.000 [50.80]	640



-93

Distributed by: Electro-Stock, Inc. sales@electrostock.com

http://www.electrostock.com 630-682-1542 Fax: 630-682-1562



TECHNICAL SPECIFICATIONS

MATERIAL
INSULATOR: GREY NYLON 46
UL 94V-0 LISTED

TERMINAL CONTACT
BRASS PER ASTM-B16
BeCu PER ASTM-B194

OPERATING TEMP. -65°C TO +150°C

CONTACT FORCES
INSERTION STANDARD 9 oz. AVG.
WITHDRAWAL STANDARD 2 oz. MIN.

SERIES
106: OPEN
206: SOLID

DIP - SPACING

NO. OF PINS

TERMINAL STYLE
FOR OPTIONAL TERMINAL STYLES
SEE TERMINAL STYLES

LOGO
INSULATOR MATERIAL
OTHER MATERIALS AVAILABLE
CONSULT FACTORY

PLATING TERMINAL / CONTACT
P30: GOLD / GOLD
P31: TIN-LEAD / GOLD
P32: TIN-LEAD / TIN
OTHER PLATINGS AVAILABLE
SEE OPTIONAL PLATINGS

CONTACT TYPE

S: STANDARD DIP INSERTION FORCE 9.0 oz. AVG.
 WITHDRAWAL FORCE 2.0 oz. MIN.

M: STANDARD PGA INSERTION FORCE 1.6 oz. MAX.
 WITHDRAWAL FORCE 0.5 oz. MIN.

L: INTERSTITIAL PGA INSERTION FORCE 1.0 oz. MAX.
 WITHDRAWAL FORCE 0.3 oz. MIN.

H: HIGH FORCE INSERTION FORCE 18.3 oz. MAX.
 WITHDRAWAL FORCE 4.2 oz. MIN.

ORDERING INFORMATION

106-XXX-XXX-PXX-Y12
206-XXX-XXX-PXX-Y10

CONTACT TYPE