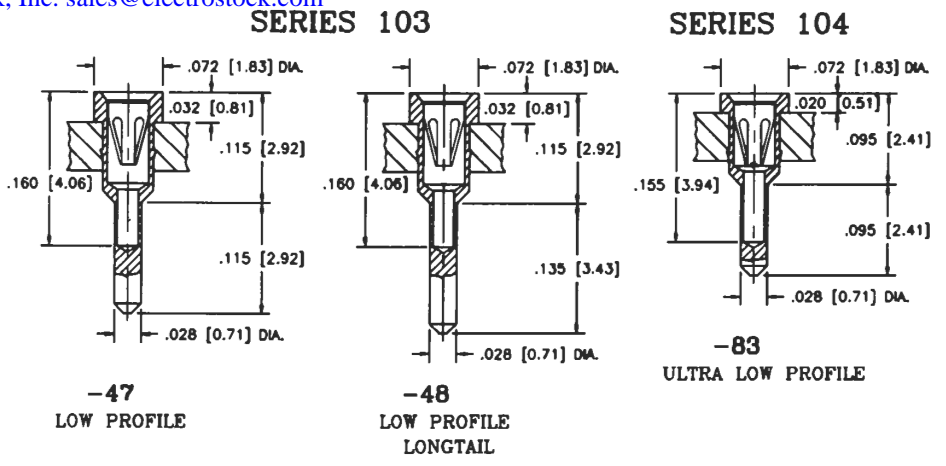


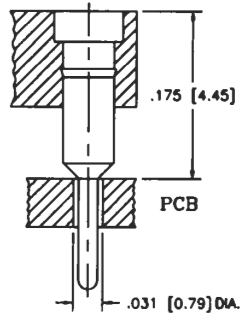
SERIES 103 LOW PROFILE DIP SOCKET (OPEN FRAME)
SERIES 104 ULTRA LOW PROFILE DIP SOCKET (OPEN FRAME)
SERIES 105 ULTRA LOW PROFILE DIP SOCKET (OPEN FRAME WITHOUT CROSSBARS)

Distributed by: Electro_Stock, Inc. sales@electrostock.com

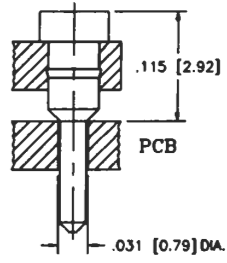
WAFER CHART			
	PIN	DIM "A"	
FIG. 1	6	.300 [7.62]	306
	8	.400 [10.16]	308
FIG. 2	14	.700 [17.78]	314
	16	.800 [20.32]	316
	18	.900 [22.86]	318
	20	1.000 [25.40]	320
	22	1.100 [27.94]	322
	24	1.200 [30.48]	324
FIG. 3	24	1.200 [30.48]	624
	28	1.400 [35.56]	628
FIG. 4	30	1.500 [38.10]	630
	32	1.600 [40.64]	632
	36	1.800 [45.72]	636
	40	2.000 [50.80]	640



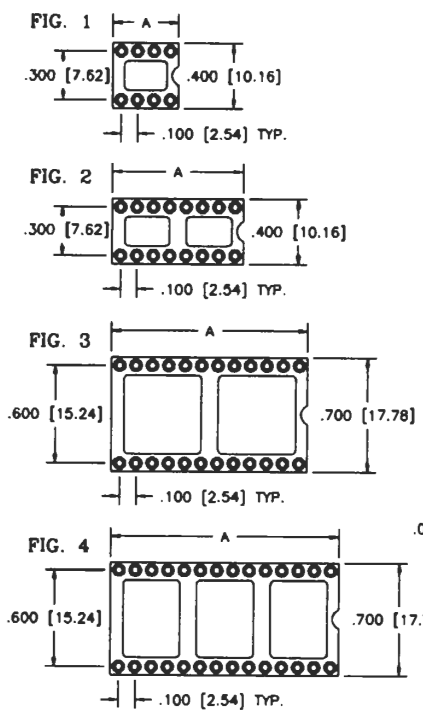
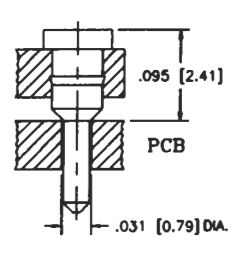
STANDARD HEIGHT ABOVE PCB WITH -01 TERMINAL



34% REDUCED HEIGHT WITH -47 TERMINAL



46% REDUCED HEIGHT WITH -83 TERMINAL



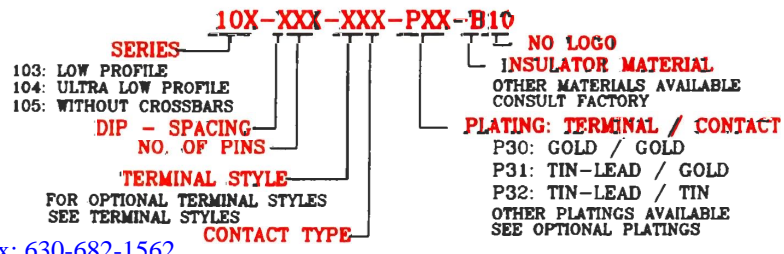
CONTACT TYPE

S: STANDARD DIP	INSERTION FORCE	9.0 oz. AVG.
	WITHDRAWAL FORCE	2.0 oz. MIN.
M: STANDARD PGA	INSERTION FORCE	1.6 oz. MAX.
	WITHDRAWAL FORCE	0.5 oz. MIN.
L: INTERSTITIAL PGA	INSERTION FORCE	1.0 oz. MAX.
	WITHDRAWAL FORCE	0.3 oz. MIN.
H: HIGH FORCE	INSERTION FORCE	18.3 oz. MAX.
	WITHDRAWAL FORCE	4.2 oz. MIN.

TECHNICAL SPECIFICATIONS

MATERIAL INSULATOR	GLASS FILLED POLYESTER
	UL 94V-0 LISTED
TERMINAL CONTACT	BRASS PER ASTM-B16
	BeCu PER ASTM-B194
OPERATING TEMP.	-65°C TO +125°C
CONTACT FORCES	
INSERTION	STANDARD 9 oz. AVG.
WITHDRAWAL	STANDARD 2 oz. MIN.

ORDERING INFORMATION



<http://www.electrostock.com> 630-682-1542 Fax: 630-682-1562

© ANDON 1997

DIMENSIONS ARE SHOWN IN INCHES [MILLIMETERS].

WE RESERVE THE RIGHT TO CHANGE SPECIFICATIONS WITHOUT NOTICE.