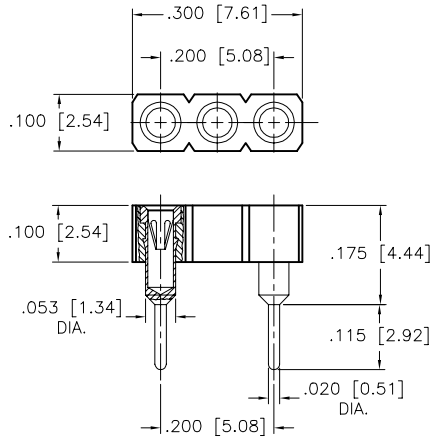
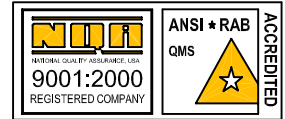


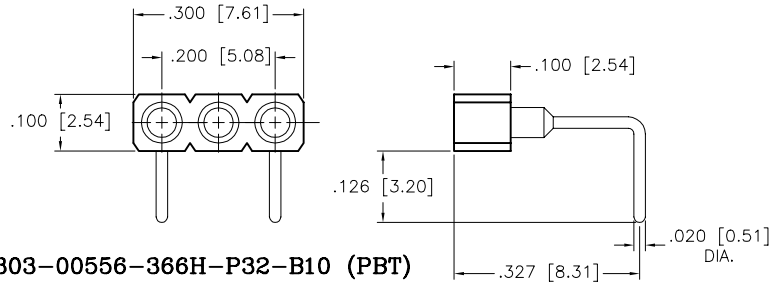


FUSE SOCKETS

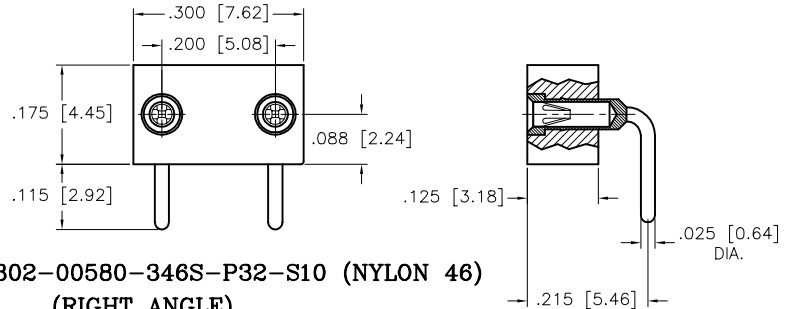
QUICK AND EASY FUSE REPLACEMENT
WITHOUT POST SOLDERING / DESOLDERING



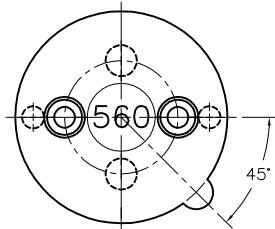
303-00556-01S-P32-B10 (PBT)
(THRU HOLE) -S10 (NYLON 46)
UL LISTED FILE NO. E208521



303-00556-366H-P32-B10 (PBT)
(RIGHT ANGLE) -S10 (NYLON 46)
UL LISTED FILE NO. E208521

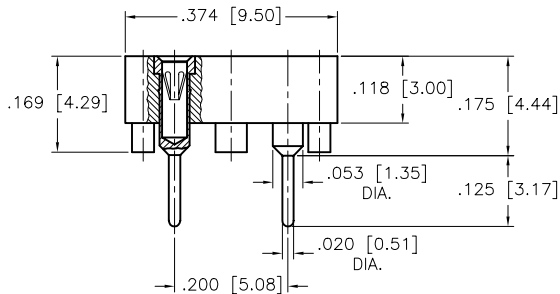


302-00580-346S-P32-S10 (NYLON 46)
(RIGHT ANGLE)

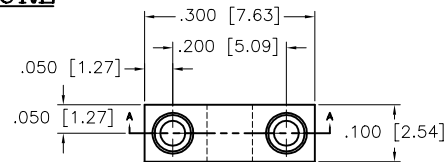


560-02-229S-P32-S18 (NYLON 46)
(THRU HOLE)
UL LISTED FILE NO. E208521

HIGH TEMPERATURE NYLON 46



560-02-93S-P32-S18 (NYLON 46)
(SURFACE MOUNT)
UL LISTED FILE NO. E208521



302-00567-93S-P32-S10 (NYLON 46)
(SURFACE MOUNT)
UL LISTED FILE NO. E208521

TECHNICAL SPECIFICATIONS

MATERIAL

INSULATOR: B10: PBT GLASS FILLED, UL 94V-0
S10 AND S18: HIGH TEMP. NYLON 46
GLASS FILLED, UL 94V-0

TERMINAL: BRASS, TIN-LEAD PLATED
CONTACT: BeCu, TIN PLATED